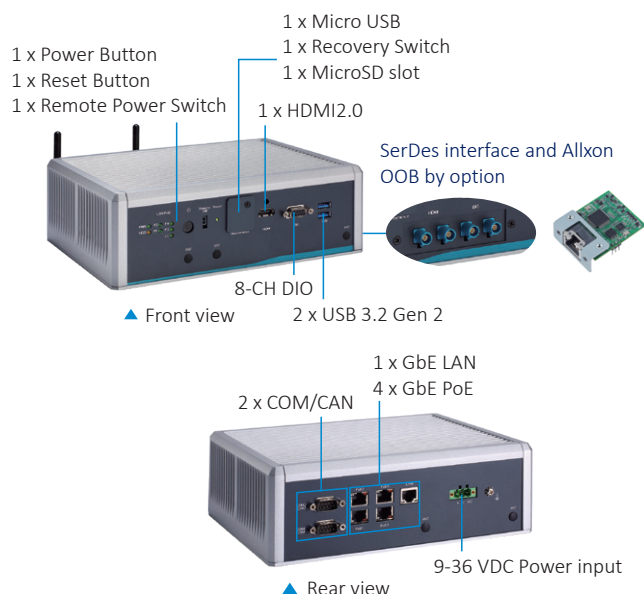


# AIE900-XNX

Fanless Edge AI System with NVIDIA® Jetson Xavier™ NX, 1 HDMI, 1 GbE LAN, 4 GbE PoE, 8-CH DI/DO, and 2 COM/CAN for 5G and AMR Applications



## Features

- NVIDIA® Jetson Xavier™ NX w/ 384-core NVIDIA Volta™ GPU
- 1 M.2 Key B slot for 5G
- Wide power input range of 9 to 36 VDC (ignition by option)
- Supports four PoE for GigE cameras and LiDAR connectivity
- -30°C to +60°C operating temperature range
- Supports device management, and optional out-of-band service powered by Allxon
- Optional SerDes FPD-LINK III

NVIDIA® Jetson Xavier™ NX will be available until 2026\*

The official end of life notice will be sent at least 8 months before the last shipment.



## Specifications

Standard Color	Silver
Construction	Aluminum extrusion and heavy-duty steel, I40
AI Accelerator	NVIDIA® Jetson Xavier™ NX
CPU	6-core NVIDIA Carmel ARM® v8.2 64-bit CPU 6 MB L2 + 4 MB L3
GPU	384-core NVIDIA Volta™ GPU with 48 Tensor Cores
System Memory	8GB 128-bit LPDDR4x onboard
Carrier Board	PSB905
System I/O Outlet	1 x Lockable HDMI 2.0 with 4K2K supported 1 x 10/100/1000 Mbps Ethernet (via Jetson Xavier™ NX) 4 x 10/100/1000 Mbps PoE (Intel® i210-IT; max. up to 30W) 2 x DB9 for RS-232/422/485/CAN (selected by jumper setting) 2 x USB 3.2 Gen2 1 x 8-CH DI/DO 1 x Remote switch and reset button and 1 x power button 1 x Micro USB and 1 x recovery switch (for image update) 1 x 9 to 36 VDC power input connector 5 x SMA-type antenna opening
Watchdog Timer	Dual watchdog timer
Storage	Onboard 16GB eMMC (via Jetson Xavier™ NX) 1 x M.2 Key M 2280 with PCIe x4 NVMe SSD slot 1 x Micro SD slot *The bootable device is supported by eMMC only
Expansion Interface	1 x MIPI CSI-2 connector (4 x FPD-Link III connector by option) 1 x Full-size PCI Express Mini Card slot (USB + PCI Express signal) 1 x M.2 Key B 3050/3042 slot 1 x SIM slot
System Indicator	1 x Green LED for system power-on 1 x Yellow LED for M.2 storage 1 x Green LED for LAN status 4 x Green LED for GbE PoE status
Power Supply	9 to 36 VDC (ignition power control by option)

---

## Specifications

Operating Temperature	-30°C to +60°C (-22°F to +140°F)
Humidity	10%- 95%, non-condensing
Vibration Endurance	3 Grms with M.2 (5 to 500Hz, X, Y, Z directions)
Dimensions	239 mm (9.41") (W) x 185.3 mm (7.3") (D) x 79.4 mm (3.13") (H)
Weight (net/gross)	2.8 kg (6.17 lb)/3.45 kg (7.61 lb)
Certifications	CE, FCC Class A
OS Support	Linux Ubuntu 18.04 or later

---

## Packing List

1 x Terminal block connector  
1 x Screw pack  
4 x Foot pad  
1 x M.2 SSD thermal kit  
1 x 5G module thermal kit

---

## Power Protection

### DC Adapter

OVP (over voltage protection)  
OCP (over current protection)  
UVP (under voltage protection)  
Reserve protection

---

## Ordering Information

### Standard

AIE900-XXN-1L4P	Fanless edge AI system with NVIDIA® Jetson Xavier™ NX SoM, 1 HDMI, 1 GbE LAN, 4 GbE PoE, 8-CH DI/DO, and 2 COM/CAN
-----------------	--

### Optional

Wall mount kit  
DIN-rail kit  
VESA mount kit  
M.2 NVMe SSD 128GB or above  
2.5" SATA SSD 128GB or above  
LTE module  
Wi-Fi module  
5G module  
Power cord

50906D24000E	Adaptor 24V/120W, wire only, FSP120-AAAN3
--------------	---

\* Specifications and certifications may vary based on different requirements.

## Dimensions

