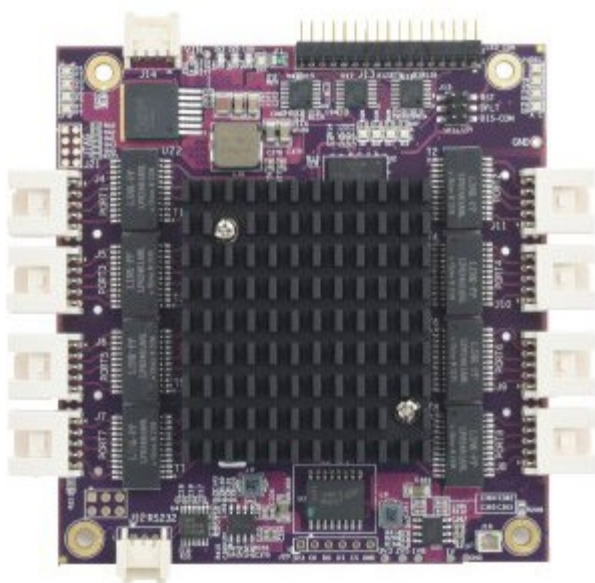


EPS-8130 Managed 8-Port Gigabit Ethernet switch with embedded layer 2 software



EPS-8130 with heat sink



EPS-8130-XT with heat spreader

FEATURES

8 Gigabit Ethernet ports with non-blocking wire-speed performance

Built-in 416MHz MIPS 24KEC microcontroller for configuration and management

RS-232 serial port provides out-of-band management interface

Can operate autonomously or in conjunction with a host SBC

8K MAC addresses and 4K VLANs (IEEE 802.1Q), as well as 8K IPv4 and IPv6 multicast group support

Jumbo frame support at all speeds

Dual leaky bucket policers with remarking and statistics

Flexible link aggregation support based on Layer-2 through Layer-4 information (IEEE 802.3ad)

Multicast and broadcast storm control, as well as flooding control

Rapid Spanning Tree protocol (RSTP) and MSTP

8 priorities and 8 QoS queues per port with scheduling

Shaping/policing per queue and per port

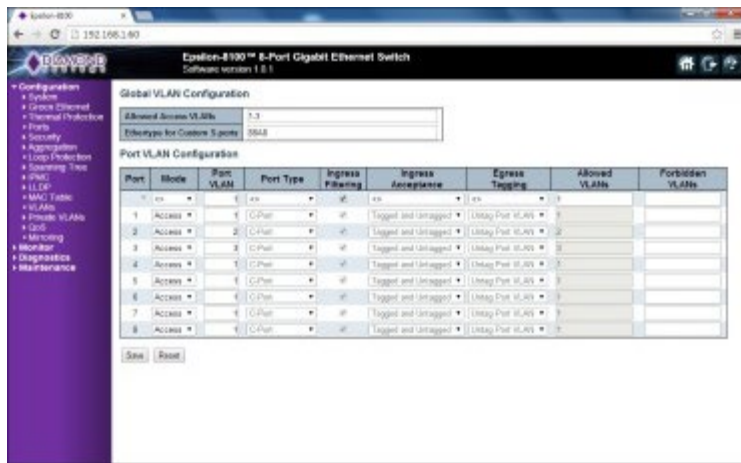
Multiple protocol support: IEEE 802.1d, IEEE 802.1w, IEEE 802.1s, and IEEE 802.1X

Wide input voltage range: +5-36VDC

Latching connectors for improved ruggedness

PC/104 form factor module (90 x 96mm)

Extremely rugged -40°C to +85°C operating temperature



Embedded management software

Description

Epsilon-8130 is a managed Layer 2+ Ethernet switch module offering eight 10/100/1000Mbps copper twisted pair ports in the compact PC/104 form factor. It is designed for rugged applications including industrial, on-vehicle and military. EPS-8130 is a direct replacement for the previous EPS-8100 and is fully backwards compatible with the previous product in all key respects.

Epsilon-8130 is a standalone switch that does not require any host computer interface. All switch functions are managed by a 416MHz MIPS processor embedded directly into the switch. The processor is accessed via an in-band web interface over one of the Ethernet ports or via an out-of-band command-line interface over an RS-232 serial port. The integrated web interface provides an intuitive GUI for use in configuring and managing all switch functionality. On-board memory holds dual application images, boot code, MAC addresses, and other parameters, and can also be used for program execution.

Epsilon-8130's advanced Ethernet switch chip includes two innovative features that enable automatic power savings. The switch can detect unused Ethernet ports on network devices and power them down or place them in stand-by mode. Additionally, the switch actively adjusts the power level needed based on cable length, saving energy on links shorter than the 100m maximum specified length.

Epsilon-8130 was designed for use in vehicle and harsh environment applications. All I/O connectors are latching, providing enhanced reliability over the RJ-45 connectors used in commercial Ethernet switches. The wide range 5-36V input power supply is compatible with all common vehicle and industrial power sources. The -40°C to +85°C operating range makes Epsilon-8130 suitable for use in outdoor and vehicle applications.

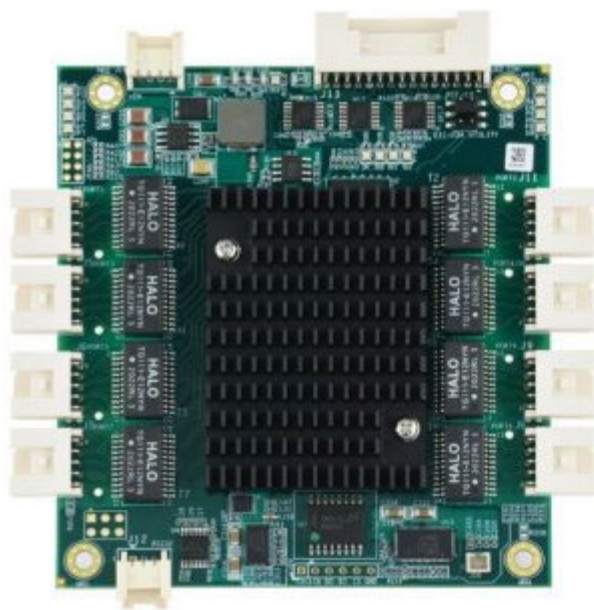
Epsilon-8130 comes loaded with all required firmware, enabling its immediate operation without any development effort. The included web interface provides an intuitive GUI for use in configuring and managing switch functionality.

Thermal Solutions

EPS-8130 is available with a heat sink, a heat spreader, or no cooling solution. Both heat sink and heat spreader support the full -40 to +85°C industrial temperature range.

- Model EPS-8130 uses a low profile heat sink that fits within the PC/104 11.2mm height limit above the PCB. It is positively fixed in place with two screws.
- Model EPS-8130-XT has a heat spreader that is the same size as the PCB. It has two mounting hole patterns to support both SAE (#6-32) and Metric (M3) fasteners.
- Model 9113190 is the board assembly without any cooling solution for convenience of customers who have designed their own cooling solution into their system enclosure. This model will operate safely at up to near room temperature, however suitable cooling is needed

to achieve reliable operation at elevated temperatures.



HEAT SINK

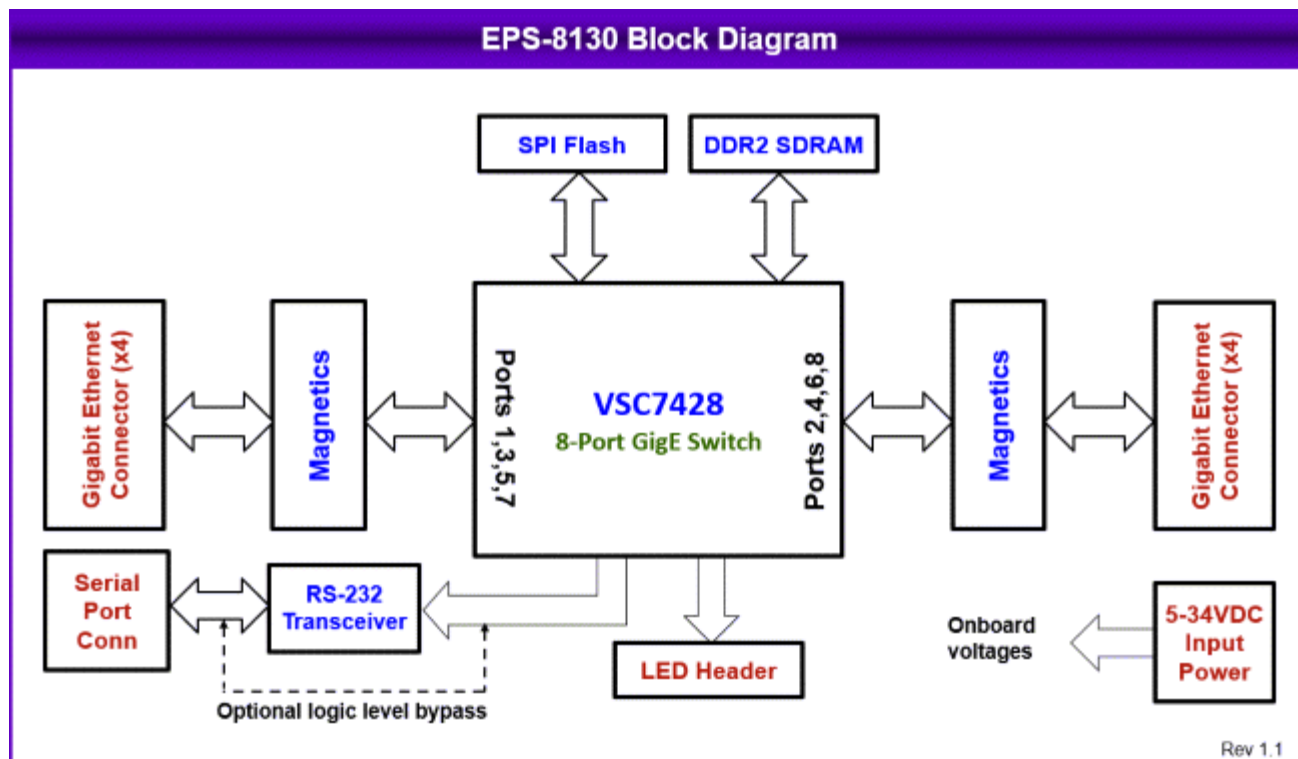
(EPS-8100-XT shown, EPS-8130-XT similar)



HEAT SPREADER

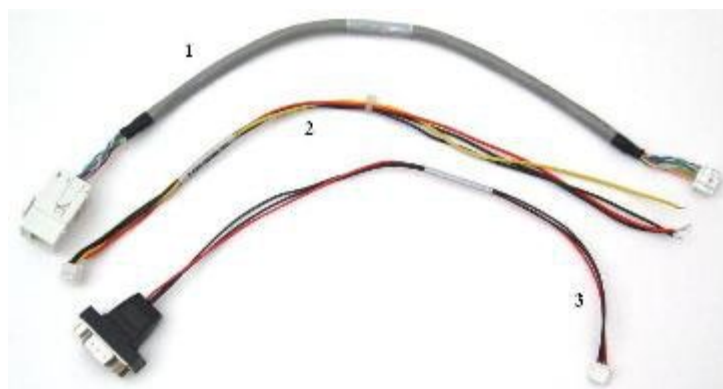
(EPS-8100-XT shown, EPS-8130-XT similar)

◆ Block Diagram



◆ Cable Kit

cable kit C-EPS8000-KIT includes all cables needed for the EPS-81xx series of Ethernet switches.



C-EPS8000-KIT includes the following cables:

| No. | Qty | Cable | Description | Drawing |
|-----|-----|---------|-------------------------------|----------------------|
| 1 | 8 | 6981052 | Ethernet cable | Show |
| 2 | 1 | 6981051 | Power cable | Show |
| 3 | 1 | 6981050 | Serial Cable, 1x3 2mm to DB9M | Show |

◆ Specifications

| Managed Ethernet Switch | |
|-------------------------|--|
| Switch Type | Managed Layer 2+ switch Built-in MIPS 416MHz 24KEC microcontroller for configuration and management |
| Number of Ports | 8 10/100/1000Mbps Ethernet ports with non-blocking wire-speed performance |
| On-board Memory | 4Mb packet memory Shared memory buffer with per-port & CoS memory management |
| MEF | Hierarchical MEF compliant policing & scheduling MEF E-Lane, E-Line, and E-Tree services |
| Frame Buffer | Jumbo frame support at all speeds |
| VLAN | IEEE 802.1Q VLAN switch with 8K MACs and 4K VLANs Push/pop up to two VLAN tags Independent & shared VLAN learning (IVL, SVL) |
| Multicast | IPv4 and IPv6 multicast group support |
| Remarking | Dual leaky bucket policers with remarking and statistics |
| Classifier | 8 priorities and 8 CoS queues per port with strict or deficit-weighted round robin scheduling Shaping/policing per queue and per port |
| Storm Control | Policing with storm control and MC/BC protection |
| Link Aggregation | IEEE 802.3ad |
| Security | Advanced security and prioritization available through multistage TCAM engine |
| RSTP | Rapid Spanning Tree Protocol (IEEE 802.1W) and MSTP |
| MIBs | Support for both WebStax and CEServices MIBs |
| Power Management | ActiPHY and PerfectReach power management VeriPHY cable diagnostics |
| Serial Port | 1 RS-232 port for host interface |
| Indicator LEDs | 18 status LEDs, two per port 2 general purpose |
| Standalone Capable | Standalone network switch, or in combination with a host computer |
| General | |
| Power Input | +5 to +36V DC/DC power supply |
| Power Consumption | 5.4W typical at +5VDC |

| | |
|--------------------------|-------------------------------------|
| Form Factor / Dimensions | PC/104 3.55" x 3.775" (90mm x 96mm) |
| Operating Temperature | -40°C to +85°C (-40°F to +185°F) |
| Weight | 3.5oz (99g) with heatsink |
| MTBF | 624,170 hours at 20°C |
| RoHS | Compliant |

◆ Models and Accessories

| EPS-8130 | | |
|-------------------|---|-----------|
| available models: | | |
| EPS-8130 | 8-Port Gigabit Ethernet Switch, Layer 2 Embedded Software, Latching Connectors, -40/+85C, Heat Sink | Available |
| EPS-8130-XT | 8-Port Gigabit Ethernet Switch, Layer 2 Embedded Software, Latching Connectors, -40/+85C, Heat Spreader | Available |
| 9113190 | EPS-8130 Ethernet switch, no thermal solution (customer must supply own cooling) | Available |

Please [login](#) or [signup](#) for an online quote request.

| Cables and accessories | |
|------------------------|--|
| available models: | |
| C-EPS8000-KIT | Epsilon-8000/8100/8130 Cable Kit: Ethernet (8), power, and serial cables |
| 6981052 | Ethernet cable |
| 6981051 | Power cable |
| 6981050 | Serial Cable, 1x3 2mm to DB9M |

Please [login](#) or [signup](#) for an online quote request.

www.diamondsystems.com | [Sunnyvale, California USA](#) | [+1-650-810-2500](tel:+16508102500) | sales@diamondsystems.com