

# FM10AD-V

## 10.4" Vehicle Mount Terminal with Intel® Alder Lake Processor



### KEY FEATURES

- 12th Gen. Intel® Processor Family – Alder Lake Processor
- 10.4" 1024 x 768 Panel with PCAP touch screen vehicle mount terminal
- IP65 waterproof and dustproof
- Wide power input 10-60V DC with ignition
- Wide range operating temperature
- Support VESA Mount



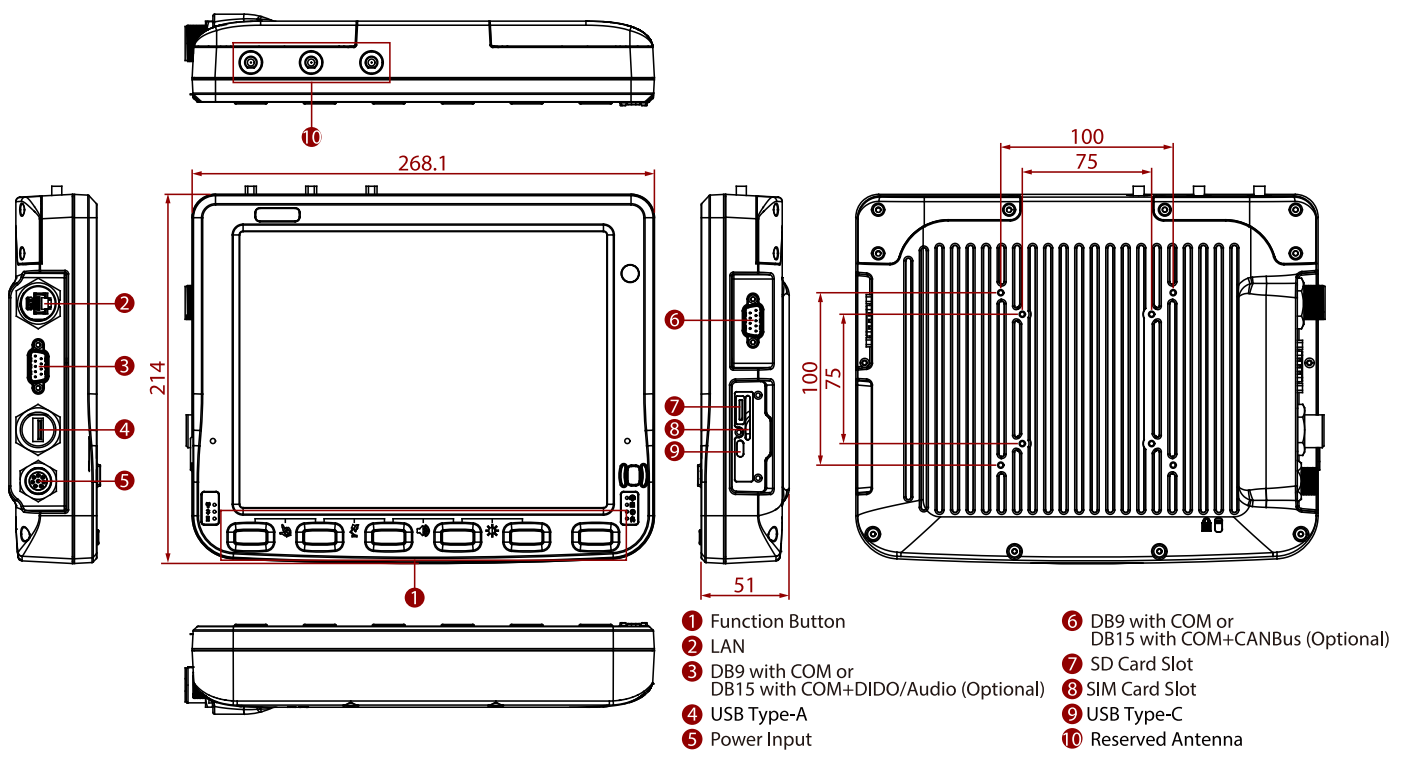
### SPECIFICATIONS

| Display              |   |                       |   |
|----------------------|---|-----------------------|---|
| Resolution           | 1024x768  | Size                  | 10.4 inches   |
| Contrast Ratio       | 1200:1  | Panel Brightness      | 400 nits<br>800 nits(Optional)                            |
| View Angles          | 88,88,88,88   | Type                  | Projected Capacitive Multi Touch                          |
| Touch Mode           | With Stylus Support<br>With Gloves Support                    |                       |   |
| System Specification |   |                       |   |
| Processor            | Intel® Core™ i5-1235U, up to 4.40GHz                          | Memory                | 8GB DDR5 SDRAM, up to 32GB                                |
| Storage              | 128GB NVMe SSD<br>256GB NVMe SSD (Optional)                   | Security              | TPM 2.0   |
| Operating System     | Windows 10 IoT Enterprise                                     | WLAN                  | Support   |
| BT                   | Support   | WWAN                  | LTE / 5G Sub 6 (Optional)                                 |
| GNSS                 | GPS/GLONASS (Optional)  | Sensors               | G-Sensor, Light Sensor ,Temp Sensor                       |
| Camera               |   |                       |   |
| Front Camera         | 2MP Camera  |                       |   |
| Mechanical           |   |                       |   |
| Dimension            | 268 x 214 x 51 mm   | Weight                | 2.4 kg  |
| Mounting             | RAM Mount/ VESA Mount   | Cooling System        | Fanless Design  |
| IO Ports             |   |                       |   |
| USB Port             | 1 x USB 3.0 Type C (OTG)<br>1 x USB 2.0 Port                  | Serial Port           | 2 x RS232/422/485 (Default RS232)                         |
| SD Card Slot         | 1 x Micro SD Card Slot  | SIM Card Slot         | 1 x Dual-Nano SIM Card Slot                               |
| Audio                | 1 x Audio(Mic in or Line Out) either one with DIDO (Optional) | LAN                   | 1 x Gigabit LAN port<br>PSE (IEEE 802.3at 30W) (Optional) |
| Indicator            | 6 x LED Indicator   | DIDO                  | 1 x DIDO (2XDI ; 2XDO) either one with Audio (Optional)   |
| CANBUS               | 1 x CANBus (Optional)   |                       |   |
| Environment          |   |                       |   |
| Operating Humidity   | 5% to 95% RH, Non-Condensing                                  | Operating Temperature | -30°C to 50°C   |
| Storage              | -30°C to 60°C   | Shock                 | MIL-STD-810H Method 516.8 Procedure I                     |

|                          |  |                  |  |
|--------------------------|--|------------------|--|
| <b>Temperature</b>       |  |                  |  |
| <b>Vibration</b>         | MIL-STD-810H Method 514.8 Procedure I  | <b>IP rating</b> | IP65, Compliance IEC60592  |
| <b>Impact</b>            | Support EN62262 IK07 Rating  | <b>ESD</b>       | Compliant with EN 61000-4-2, Enhanced ESD to ±8kV Direct & ±15kV Air |
| <b>Certification</b>     |  |                  |  |
| <b>Certification</b>     | CE, FCC, UL60950-1, EN60950-1, PTCRB, FCC (Electromagnetic Emissions), IC (ICES-003)   |                  |  |
| <b>Control</b>           |  |                  |  |
| <b>Button</b>            | 1 x Power Button, 6 x Function Button (Programmable Function Key Configured by Winset) |                  |  |
| <b>Power</b>             |  |                  |  |
| <b>Power Rating</b>      | 10V~60V with ignition control  |                  |  |
| <b>Security Function</b> |  |                  |  |
| <b>SOTI MobiControl</b>  | SOTI MobiControl Compliance  |                  |  |
| <b>Accessory</b>         |  |                  |  |

|                  |   |                           |  |
|------------------|---|---------------------------|--|
| <b>Accessory</b> | 5M Power Cable with Fuse Kit<br>0.15M Power Converter Cable<br>DC Jack Power Cable<br>84W Adapter with power cable<br>Quick Start Guide | <b>Optional Accessory</b> | Stylus Kit + Screw<br>1.8M RS232 Cable<br>2M IP65 LAN Cable<br>GPS & LTE 2M Combo Antenna(VM240)<br>GPS & LTE 5M Combo Antenna (VM9C)<br>GPS & LTE Magnetic Combo Antenna (VM10S)<br>GPS Antenna<br>WWAN Antenna<br>2M Waterproof USB Type-A to A Cable<br>Cable Clamp Kit<br>COM Port + CANBus Cable<br>COM Port + DIDO Cable |
|------------------|---|---------------------------|--|

**DIMENSIONS** UNIT:MM



## NOTE

1. This is a simplified drawing and some components are not marked in detail.
2. Please contact our sales representative if you need further product information.
3. All specifications are subject to change without prior notice.
4. The product shown in this datasheet is a standard model. For diagrams that contain customized or optional I/O, please contact the Winmate Sales Team for more information.
5. COM port can supply 5V power via the 9th pin.