

# FM10Q-V

## 10.4" Android Forklift Computers with Qualcomm® Snapdragon™ 660



### KEY FEATURES

- Qualcomm Snapdragon™ 660 octa-core, 2.2 GHz CPU, Android forklift computers
- 10.4" 1024 x 768 Panel with PCAP touchscreen
- IP65 waterproof and dustproof
- Wide power input 10-60V DC with ignition
- Wide range operating temperature
- Support VESA Mount



### SPECIFICATIONS

Display			
Resolution	1024x768	Size	10.4 inches
Contrast Ratio	1200:1	Panel Brightness	400 nits 800 nits(Optional)
View Angles	88,88,88,88	Type	Projected Capacitive Multi Touch
Touch Mode	Support Hand, Stylus, Glove Mode		
System Specification			
Processor	Qualcomm® Snapdragon™ 660 (Octa-Core 2.2 GHz)	Memory	3GB
Storage	32GB	Operating System	Android 9.0
WLAN	Support	BT	Support
WWAN	4G/LTE (Optional)	GNSS	GPS/GLONASS (Optional)
Sensors	G-Sensor, Temp. Sensor		
Camera			
Front Camera	2MP Camera		
Mechanical			
Dimension	268 x 214 x 51 mm	Weight	2.4 kg
Mounting	VESA Mount	Cooling System	Fanless Design
IO Ports			
USB Port	1 x USB 3.0 Type C (OTG) 1 x USB 2.0 Port	Serial Port	2 x RS232/422/485 (Default RS232)
SD Card Slot	1 x Micro SD Card Slot	SIM Card Slot	1 x Dual-Nano SIM Card Slot
Audio	1 x Audio(Mic in & Line Out) either one with DIDO (Optional)	LAN	1 x Gigabit LAN port PSE (IEEE 802.3at 30W) (Optional)
Indicator	5 x LED Indicator (Wi-Fi, BT, UPS battery, Screen Blanking, Heater)	DIDO	1 x DIDO (2XDI ; 2XDO) either one with Audio (Optional)
CANBUS	1 x CANBus (Optional)		
Environment			
Operating Humidity	5% to 95% RH, Non-Condensing	Operating Temperature	-30°C to 50°C
Storage Temperature	-30°C to 60°C	Shock	MIL-STD-810H Method 516.8 Procedure I

<b>Vibration</b>	MIL-STD-810H Method 514.8 Procedure I	<b>IP rating</b>	IP65
<b>Impact</b>	Support EN62262 IK07 Rating	<b>ESD</b>	Compliant with EN 61000-4-2, Enhanced ESD to ±8kV Direct & ±15kV Air
<b>Certification</b>			
<b>Certification</b>	CE, FCC		
<b>Control</b>			
<b>Button</b>	1 x Power Button, 6 x Function Button (Programmable Function Key Configured by Winset)		
<b>Power</b>			
<b>Battery</b>	400mAh UPS Battery for 20 minutes backup (Optional)	<b>Power Rating</b>	10V~60V with ignition control
<b>Consumption</b>	35W (Typical)		
<b>Security Function</b>			
<b>SOTI MobiControl</b>	SOTI MobiControl Compliance		
<b>Accessory</b>			

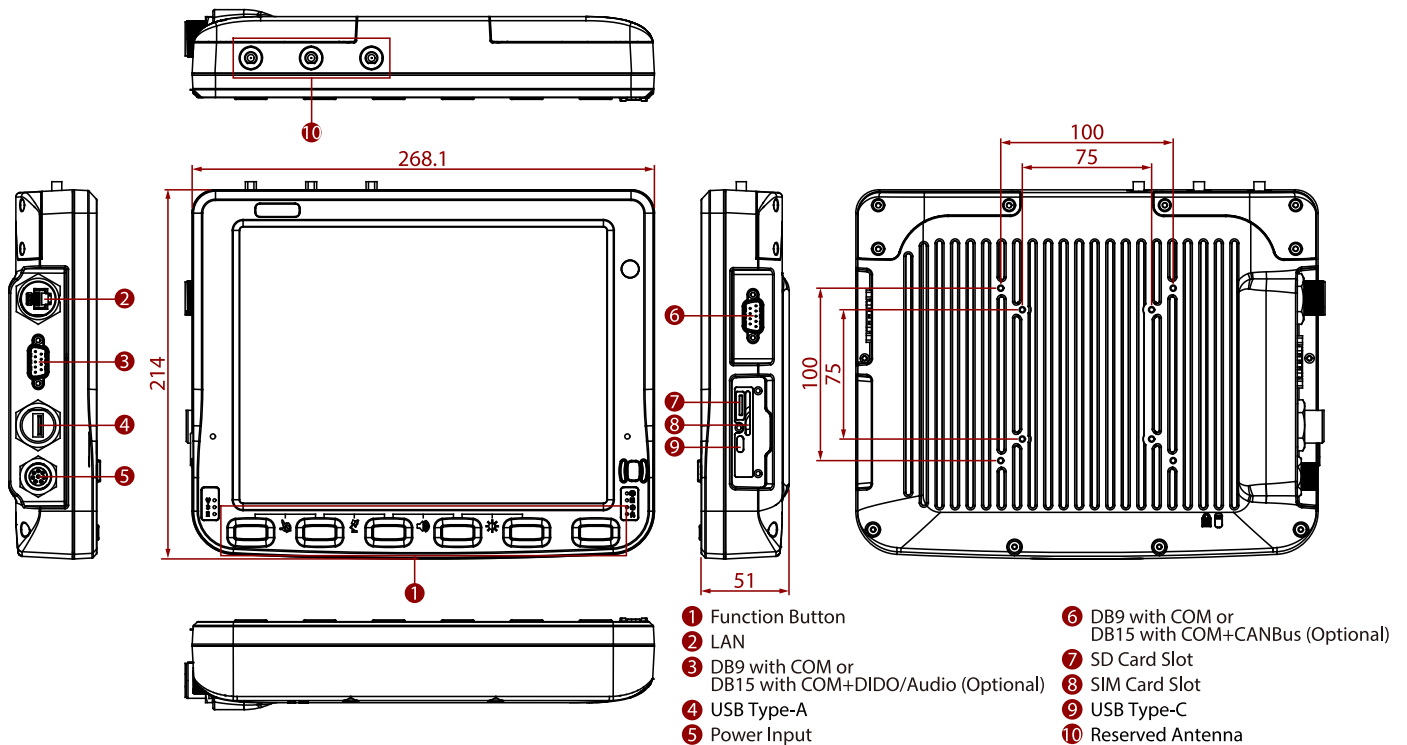
**Accessory**

- 1.8M Power Cable with Fuse Kit
- 0.15M Power Converter Cable
- DC Jack Power Cable
- 84W Adapter with power cable
- Quick Start Guide

**Optional Accessory**

- Stylus Kit + Screw
- 1.8M RS232 Cable
- 2M IP65 LAN Cable
- GPS & LTE 5M Combo Antenna (VM9C)
- GPS & LTE Magnetic Combo Antenna (VM10S)
- GPS Antenna
- WWAN Antenna
- 2M Waterproof USB Type-A to A Cable
- Cable Clamp Kit
- COM Port + CANBus Cable
- COM Port + DIDO Cable

## DIMENSIONS UNIT:MM



## NOTE

1. Total usable memory will be less dependent upon actual system configuration.
2. CANBus and audio are mutually exclusive.
3. The heater is a customized feature available by request.
4. SOTI is available upon request.
5. Length measurements do not include protrusions. Weight varies with options.
6. Measured at dimming LCD brightness. Varies depending on the usage conditions, or when an external device is attached.
7. Accessories may vary depending on your configuration.
8. Two Wi-Fi antennas are included in the standard package.
9. The product shown in this datasheet is a standard model. For diagrams that contain customized or optional I/O, please contact the Winmate Sales Team for more information.
10. Please order one bracket for one antenna. For example, if you plan to use two antennas, please order two brackets.
11. Notice that only one antenna is included in the package. If you plan to use the WWAN function please order two WWAN antennas.
12. This is a simplified drawing and some components are not marked in detail.
13. The UPS battery is only expected to use for backup under low system loading and without I/O function.
14. COM port can supply 5V power via the 9th pin.