



# NVIDIA Jetson AGX Orin Series

Ampere GPU + Arm Cortex-A78AE CPU + LPDDR5 + 64GB eMMC5.1

## Data Sheet

## NVIDIA Jetson AGX Orin Modules

Module	Description
Jetson AGX Orin 64GB (JAO 64GB)	Ampere GPU + Arm Cortex-A78AE CPU + 64GB LPDDR5 + 64GB eMMC 5.1
Jetson AGX Orin 32GB (JAO 32GB)	Ampere GPU + Arm Cortex-A78AE CPU + 32GB LPDDR5 + 64GB eMMC 5.1

References to JAO and Jetson AGX Orin include and can be read as Jetson AGX Orin 64GB and Jetson AGX Orin 32GB except where explicitly noted.

## AI Performance

JA0 64GB: Up to 275 Sparse TOPS (INT8)

JA0 32GB: Up to 200 Sparse TOPs (INT8)

## Ampere GPU

JA0 64GB: two graphics processing cluster (GPC) | eight texture processing clusters (TPC) | 2048 NVIDIA® CUDA® cores | 64 Tensor cores Ray-Tracing cores | 170 Sparse TOPS | Maximum Operating Frequency: 1.3 GHz

JA0 32GB: two GPC | seven TPC | 1792 NVIDIA® CUDA® cores | 56 Tensor cores Ray-Tracing cores | 108 Sparse TOPS Maximum Operating Frequency: 939 MHz

JA0: End-to-end lossless compression | Tiled Caching | OpenGL® 4.6+ | OpenGL ES 3.2 | Vulkan™ 1.2+<sup>◊</sup> | CUDA 10.2+ | Maximum Operating Frequency: 1.3 GHz

## Arm Cortex-A78AE CPU

Arm v8.2 (64-bit) heterogeneous multi-processing (HMP) CPU architecture

JA0 64GB: 12x cores | three CPU clusters (four cores/cluster) | 259 SPECint\_rate2006

JA0 32GB: 8x cores | two CPU clusters (four cores/cluster) | 177 SPECint\_rate2006

JA0: L1 Cache: 64 KB L1 instruction cache (I-cache) + 64 KB L1 data cache (D-cache) per CPU core | L2 Cache: 256 KB per CPU core | L3 Cache: 2MB per CPU cluster | Maximum Operating Frequency: 2.2 GHz

## DL Accelerator

JA0: 2x NVDLA 2.0 Engines

JA0 64GB: Maximum Operating Frequency: 1.6 GHz | 52.5 TOPS each (Sparse INT8)

JA0 32GB: Maximum Operating Frequency: 1.4 GHz | 46 TOPs each (Sparse INT8)

## Memory

JA0 64GB: 64GB 256-bit LPDDR5 DRAM

JA0 32GB: 32GB 256-bit LPDDR5 DRAM

JA0: Secure External Memory Access Using TrustZone® Technology | System MMU | Maximum Operating Frequency: 3200 MHz

## Storage

64GB eMMC 5.1 Flash Storage | Bus Width: 8-bit | Maximum Bus Frequency: 200 MHz (HS400 or HS533)

64MB NOR Boot Flash | 8MB NOR Secure Key Flash

## Display Controller

1x shared HDMI 2.1, eDP1.4, VESA DisplayPort 1.4a HBR3

Maximum Resolution (eDP/DP/HDMI): (up to) 8K60 (up to 36 bpp) | Multiple displays can be supported over DP interface with MST

## Multi-Stream HD Video and JPEG

Video Decode: H.265 (HEVC), H.264, AV1, VP9, VP8, MPEG-4, MPEG-2, VC-1

Video Encode: H.265 (HEVC), H.264, AV1

JPEG (Decode and Encode)

Optical Flow Accelerator

- Optical Flow
- Stereo Disparity Estimation

## Audio

Dedicated programmable audio processor | Arm Cortex A9 with NEON | PDM in/out | Industry-standard High-Definition Audio (HDA) controller provides a multi-channel audio path to the HDMI® interface

## Imaging

16x lanes total | D-PHY v2.1 (40 Gbps)

16x trio links total | C-PHY v2.0 (164 Gbps)

## Networking

1x GbE | 1x 10GbE

## Peripheral Interfaces

\*USB: xHCI host controller with integrated PHY (up to) 3x USB 3.2 Gen2 (10Gbps), 4x USB2.0 | PCIe Gen4: 2 x8, 1 x4, 2 x1 | SD/MMC controller (supporting eMMC 5.1, SD 4.0, SDHOST 4.0 and SDIO 3.0) | 4x UART | 3x SPI | 8x I<sup>2</sup>C | 2x CAN | 4x I<sup>2</sup>S | 2x DMIC | 1x DSPK | GPIOs

## Mechanical

Module Size: 100.0 mm x 87.0 mm x 16.0 mm | 699 pin B2B Connector | Integrated Thermal Transfer Plate (TTP) with Heatpipe

## Operating Requirements

\*\*TTP Surface Temperature: -25°C to 80°C | TTP Surface: 80°C max Power Input: 5V (MV) and 7V to 20V (HV) | Operating Lifetime (24x7): 5 years

JA0 64GB Maximum Module Power: Up to 60W

JA0 32GB Maximum Module Power: Up to 40W

**Notes:** The Jetson AGX Orin Developer Kit can be used to develop the Jetson AGX Orin Series. The Developer Kit has the full GPU, CPU, DLA, NVENC, and NVDEC performance of Jetson AGX Orin 64GB, but with 32 GB memory. Refer to the "Software Features" section of the latest *L4T Developer Guide* for a list of supported features; all features may not be available.

<sup>◊</sup> Product is based on a published Khronos Specification and is expected to pass the Khronos Conformance Process. Current conformance status can be found at [www.khronos.org/conformance](http://www.khronos.org/conformance).

- \*See the NVIDIA *Jetson AGX Orin Design Guide* for details on the UPHY configurations supported. MGBE, USB 3.2, and PCIe share UPHY lanes
- \*\*See the NVIDIA *Jetson AGX Orin Thermal Design Guide* for details.

# Document History

DS-10662-001\_v1.2

Version	Date	Description of Change
1.0	March 18, 2022	Initial release
1.1	July 29, 2022	<ul style="list-style-type: none"><li>• Updated Storage section in Table 1-2 for clarity</li><li>• Updated Table 4-1 through Table 4-4 with Cumulative BitRate</li><li>• Added Section 7.2 "Environmental and Mechanical Screening"</li><li>• Added Table 7-5 "JAX Orin 64GB and 32GB Environmental Testing"</li><li>• Updated 10GbE support to 1x 10GbE instead of 4x 10GbE throughout the data sheet</li><li>• Added notes to reference <i>Jetson AGX Orin Design Guide for Supported UPHY Configs</i></li><li>• With the Supported UPHY Configs support 5x PCIe Controllers.</li><li>• Changed the voltage range for PMIC_BBATT pin to 1.85V to 5.5V</li></ul>
1.2	November 18, 2022	<ul style="list-style-type: none"><li>• Added note for USB 3.2 referring to USB 3.2 Gen 1x1 and USB 3.2 Gen 2x1 under NVIDIA Orin SoC Features on Jetson AGX Orin SOM table</li><li>• Added maximum current for PMIC_BBAT in Table 7-1. Maximum Ratings table.</li><li>• Added note under 5.1 USB Interfaces section</li><li>• Added Section 7.1.3 "Storage and Handling"</li><li>• Added module weight for mechanical drawing</li></ul>

# Table of Contents

<b>Chapter 1. Introduction.....</b>	<b>1</b>
<b>Chapter 2. Functional Description.....</b>	<b>5</b>
<b>Chapter 3. Power and System Management.....</b>	<b>7</b>
3.1 Input Power .....	7
3.2 Power Sequencing.....	7
3.3 Power States .....	7
3.3.1 ON State.....	8
3.3.2 SC7 – Deep Sleep State .....	8
3.3.3 OFF State.....	8
<b>Chapter 4. NVIDIA Orin SoC Overview.....</b>	<b>9</b>
4.1 NVIDIA Ampere GPU .....	9
4.1.1 Compute Features .....	10
4.1.2 Graphics Features.....	10
4.1.3 GPU Architecture .....	11
4.2 CPU Complex.....	11
4.2.1 CPU .....	12
4.2.2 Supporting Features .....	12
4.2.3 Performance Monitoring .....	12
4.3 Programmable Vision Accelerator and Deep Learning Accelerator Cluster .....	13
4.4 Multi-Standard Video Decoder .....	13
4.5 Multi-Standard Video Encoder .....	15
4.6 Optical Flow Accelerator.....	16
4.7 NVJPEG.....	17
4.8 Sensor Processing Engine.....	18
4.9 Security Subsystem.....	19
4.9.1 Platform Security Controller .....	19
4.9.2 Security Engine .....	19
4.10 Jetson AGX Orin SOM Memory .....	20
<b>Chapter 5. Interfaces .....</b>	<b>21</b>
5.1 USB Interfaces .....	21
5.2 SD and eMMC Controller .....	21
5.3 Serial Peripheral Interface .....	22
5.4 I2C Controller .....	23
5.5 UART .....	23
5.6 RGMII.....	24

5.7	MGBE .....	24
5.8	CAN .....	25
5.9	Display Interfaces.....	25
5.10	Audio Interfaces .....	27
5.11	Pulse-Width Frequency Modulation Interface.....	27
5.12	General Purpose I/O.....	28
5.13	JTAG .....	28
5.14	System Control signals .....	28
5.15	UPHY Configurations.....	29
5.16	CSI Configurations .....	29
5.16.1	D-PHY Configurations.....	31
5.16.2	Supported C-PHY Configurations .....	32
<b>Chapter 6. Pin Definitions.....</b>		<b>35</b>
6.1	Power-On Reset Behavior .....	35
6.2	SOM B2B Connector Pinout.....	36
<b>Chapter 7. Electrical and Mechanical Characteristics .....</b>		<b>37</b>
7.1	Electrical Specifications.....	37
7.1.1	Absolute Maximum Ratings .....	37
7.1.2	Recommended Operating Conditions .....	38
7.1.3	Storage and Handling .....	38
7.1.4	Digital Logic.....	38
7.2	Environmental and Mechanical Screening .....	39
7.3	Mechanical Specifications .....	41
7.3.1	SOM Mechanical Drawing and Dimensions .....	41
7.3.2	Module Mounting Hole.....	43

## List of Figures

Figure 2-1.	System Block Diagram .....	6
Figure 7-1.	Module Outline Drawing 3D View .....	41
Figure 7-2.	Module Mechanical Drawing Top View .....	42
Figure 7-3.	Module Mechanical Drawing Side View .....	42
Figure 7-4.	Orin Module Mounting Hole.....	43

## List of Tables

Table 1-1.	Jetson AGX Orin SOM Product Summary .....	1
Table 1-2.	NVIDIA Orin SoC Features on Jetson AGX Orin SOM .....	2
Table 3-1.	OFF Events.....	8
Table 4-1.	Supported Video Decode Streams JAO 64GB .....	14
Table 4-2.	Supported Video Decode Streams JAO 32GB .....	14
Table 4-3.	Supported Video Encode Streams JAO 64GB .....	15
Table 4-4.	Supported Video Encode Streams JAO 32GB .....	16
Table 4-5.	Optical Flow Accelerator.....	17
Table 4-6.	OFA Streams.....	17
Table 4-7.	NVJPEG Streams per Instance.....	18
Table 5-1.	SPI Mode Descriptions.....	23
Table 5-2.	CSI Configurations D-PHY Mode .....	31
Table 5-3.	CSI Configurations C-PHY Mode .....	32
Table 7-1.	Maximum Ratings .....	37
Table 7-2.	Recommended Operating Conditions .....	38
Table 7-3.	Typical Handling and Storage Environment .....	38
Table 7-4.	CMOS Pin Type DC Characteristics.....	39
Table 7-5.	Open Drain Pin Type DC Characteristics .....	39
Table 7-6.	JAX Orin 64GB and 32GB Environmental Testing.....	39

---

# Chapter 1. Introduction

The NVIDIA® Jetson® AGX Orin System-on-Module (SOM) blends industry-leading performance, power efficiency, integrated deep learning capabilities, and rich I/O to enable emerging technologies with compute-intensive requirements. The Jetson AGX Orin SOM is designed for a wide variety of applications requiring varying performance metrics.

Table 1-1. Jetson AGX Orin SOM Product Summary

Specification	Description
Total module power	JAO 64GB: 15 W   30 W   50 W, and up to 60 W JAO 32GB: 15 W   30 W   40 W
CPU	JAO 64GB: Arm® v8.2 (64-bit)   12x (up to 6x lock step) Arm Cortex-A78AE cores   three CPU clusters (four cores/cluster)   259 SPECint_rate2006 JAO 32GB: Arm® v8.2 (64-bit)   8x Arm Cortex-A78AE cores   two CPU clusters (four cores/cluster)   177 SPECint_rate2006
GPU	JAO 64GB: Ampere GPU two GPC   eight TPC   Up to 170 INT8 Sparse TOPS or 85 FP16 TFLOPS (Tensor Cores)   Up to 5.32 FP32 TFLOPS or 10.649 FP16 TFLOPS (CUDA cores) JAO 32GB: Ampere GPU two GPC   seven TPC   Up to 108 INT8 Sparse TOPS or 54 FP16 TFLOPS (Tensor Cores) Up to 3.365 FP32 TFLOPS or 6.73 FP16 TFLOPS (CUDA cores)
Vision and DNN accelerators	Deep Learning Accelerator (DLA) JAO 64GB: Up to 105 INT8 TOPS (Sparse, Deep Learning Inference) JAO 32GB: Up to 92 INT8 TOPS (Sparse, Deep Learning Inference) JAO: 2 MB dedicated SRAM Programmable Vision Accelerator (PVA)   Up to 512 INT16 GMACS or 2048 INT8 GMACS   2 MB dedicated SRAM
Platform security controller	RISC-V subsystem, PKC crypto (RSA3K)
Memory	JAO 64GB: 64 GB LPDDR5 JAO 32GB: 32 GB LPDDR5
Display	1x: shared HDMI™ 2.1, eDP1.4, VESA® DisplayPort™ (DP) HBR3
Storage	64 GB eMMC 5.1 64 MB NOR Boot Flash 8 MB NOR Secure Key Flash



Specification	Description
Encoder/Decoder	JAO 64GB: 2x: 4K60 (H.265) /1x: 8K30 (H.265) JAO 32GB: 1x: 4K60 (H.265)   2x: 4K60 (H.265)
CSI	16x: CSI Lanes D-PHY v2.1   C-PHY v2.0
Ethernet (See Note)	1x GbE: RGMII 1x 10GbE: MGBE by XFI
PCIe (See Note)	PCI Express 4.0 x1, x2, x4 and x8 Up to 2x Endpoint supported
USB (See Note)	3x: USB 3.2 4x: USB 2.0
Other	UART, SPI, CAN, I2C, I2S, GPIOs
Module dimensions	100.0 mm × 87.0 mm × 16.0 mm
Temperature range (at Thermal Transfer Plate (TTP) surface)	-25°C to 80°C
Operating humidity	5% to 85% RH
Storage temperature (Ambient) <sup>1</sup>	-25°C to 80°C
Storage humidity	30% to 70% RH

Note: See the *NVIDIA Jetson AGX Orin Design Guide* for details on the UPHY configurations supported. MGBE, USB 3.2, and PCIe share UPHY Lane.

Table 1-2. NVIDIA Orin SoC Features on Jetson AGX Orin SOM

Description	Orin SoC Features on Jetson AGX Orin SOM
<b>NVIDIA Ampere GPU</b>	
Advanced GPU including CUDA cores, Ray-Tracing (RT) cores and 3rd Generation Tensor cores   Enhanced compute capability	
JAO 64GB: two GPC   eight TPC   Up to 170 INT8 Sparse TOPS or 85 FP16 TFLOPS   Up to 5.32 FP32 TFLOPS or 10.649 FP16 TFLOPS (CUDA cores)	
JAO 32GB: two GPC   seven TPC   Up to 108 INT8 Sparse TOPS or 54 FP16 TFLOPS   Up to 3.365 FP32 TFLOPS or 6.73 FP16 TFLOPS (CUDA cores)	
<b>Arm Cortex-A78AE CPU</b>	
JAO 64GB: 12x Arm Cortex-A78AE cores   three CPU clusters (four cores/cluster)   259 SPECint_rate2006	
JAO 32GB: 8x Arm Cortex-A78AE cores   two CPU clusters (four cores/cluster)   177 SPECint_rate2006	
Arm® v8.2 (64-bit)   Symmetric multi-processing (SMP)   NEON SIMD   High-performance coherent interconnect fabric	
L1 Cache: 64 KB Instruction Cache (I) + 64 KB Data Cache (D) per CPU core	
L2 Cache: 256 KB per CPU core	
L3 Cache: 2 MB per CPU cluster	
<b>Vision and DNN Accelerators</b>	
2x Deep Learning Accelerator (DLA)   2 MB dedicated SRAM	
JAO 64GB: Up to 105 INT8 TOPS (Deep Learning Inference)	

Description	Orin SoC Features on Jetson AGX Orin SOM
JAO 32GB: Up to 98 INT8 TOPS (Deep Learning Inference)	
Programmable Vision Accelerator (PVA)   Up to 512 INT16 GMACS or 2048 INT8 GMACS   2MB dedicated SRAM	
<b>Platform Security Controller (PSC)</b>	
RISC-V subsystem, PKC crypto (RSA3K)	
<b>Sensor Processing Engine (SPE)</b>	
Arm Cortex-R5 processor	Always-on (AON) cluster
<b>Boot and Power Management Processor (BPMP) complex</b>	
Cold and Warm Boot   System power state transitions   Voltage / Frequency management	
<b>On-Chip Memory</b>	
System Cache: 4 MB	
<b>Memory Subsystem</b>	
Memory Type	256-bit LPDDR5
Maximum Memory Bus Bandwidth (up to)	204.8 GB/s
Maximum Capacity	JAO 64GB: 64 GB JAO 32GB: 32 GB
Memory encryption support   2-stage CPU MMU and SMMU, GPU MMU   Lossless memory bandwidth compression for GPU R/W	
<b>Multi-Stream HD Video Decode</b>	
H.264, H.265 (HEVC), VP8, VP9, VC1, AV1, MPEG2, MPEG4	
<b>Multi-Stream HD Video Encode</b>	
H.264, H.265 (HEVC), AV1	
<b>JPEG Image Encode/Decode</b>	
Supported	
<b>Audio Subsystem (APE)</b>	
ADSP: Arm Cortex-A9 processor with NEON	
APE subsystem contains Audio HUB   Audio DMA   4x DAP   16 slot TDM   PDM (multiple Tx/Rx)	
2x DAP additional ports available outside APE for functional safety audio or other purposes	
<b>Display Controller Subsystem</b>	
2x display heads (pipelines) sharing four surfaces	1x shared HDMI v2.1 / DP v1.4a / eDP v1.4
DP supports MST, HBR3, VESA DSC per head	HDCP v2.2 and v1.4
<b>Imaging System</b>	
ISP (up to 1.85 GPix/s) with HDR support	Six MIPI CSI-2 v3.0 links
D-PHY	16x lanes total   D-PHY v2.1 up to 2.5 Gbps/lane   40 Gbps total
C-PHY	16x trio links total   C-PHY v2.0 up to 4.5GSps (10.25 Gbps)/trio   164 Gbps total
<b>Video Imaging Compositor (VIC) 2D Engine</b>	

Description	Orin SoC Features on Jetson AGX Orin SOM
Gen 4.2 VIC   two GPix/s   16-surface blending   Lens distortion correction, HiQ scaling, HiQ deinterlacing, blending, rotation, cadence detection, temporal noise filtering, pixel/memory format conversions	
<b>Boot Sources</b>	
QSPI serial flash, USB (Recovery Mode)	
<b>Security</b>	
Security boot, Arm TrustZone TEE, secure memory (TZ SRAM, DRAM protection with memory encryption), Platform Security Controller, hardware symmetric/asymmetric crypto acceleration, hardware root-of-trust, physical attack protection, secure debug (DFD) and test (DFT), life cycle management	
<b>Storage Interfaces<sup>1</sup></b>	
1x SD/MMC controller (supporting SD 4.2 and SDIO 4.1)	
Used on the Module: 1x QSPI and 1x eMMC 5.1	
<b>Peripheral Interfaces<sup>1</sup></b>	
XHCI USB host controller with integrated PHY: up to 3x USB 3.2 <sup>2</sup> Gen 2 (10 Gbps), up to 4x USB 2.0   USB device controller for 1x USB 3.2 Gen 1 SS (5 Gbps) and 1x USB 2.0   PCIe (5x controllers, 22 shared lanes, up to Gen 4 (16 Gbps/lane))	
4x UART   3x SPI   8x I2C   4x DAP ports: support I2S, RJM, LJM, PCM, TDM (multi-slot mode)   2x PDM (DMIC)   1x DSPK   2x CAN (LS, FD)   1x ETHER_QOS (RGMII) with AVB support   1x MGBE (XFI) with AVB support   4x PWM	
<b>Notes:</b>	
<ol style="list-style-type: none"> <li>Storage and peripheral interfaces are subject to pin-muxing. Not all interfaces are available in the same system design or available simultaneously. Simultaneous support of various functions depends on the application use case and is subject to availability of memory bandwidth.</li> <li>All instances of USB 3.2 refer to USB 3.2 Gen 1x1: SuperSpeed USB 5 Gbps and USB 3.2 Gen 2x1: SuperSpeed USB 10 Gbps only. Also note that Gen 1x1 and Gen 2x1 are referred to simply as Gen1 and Gen2 in this data sheet.</li> </ol>	

---

# Chapter 2. Functional Description

The NVIDIA Jetson AGX Orin SOM is a high performance, small-form factor (SFF) device. It enables modular system design by mechanically isolating integrated components from external mechanical forces, standardizing thermal and mechanical interfaces, and exposing a comprehensive set of system and peripheral interfaces at the 699-pin board-to-board connector. The NVIDIA Jetson AGX Orin SOM can be used in a wide variety of applications requiring varying performance metrics. To accommodate these varying conditions, NVIDIA Jetson AGX Orin SOM implement a multitiered solution that focuses on the efficient application of performance to manage a complex environment:

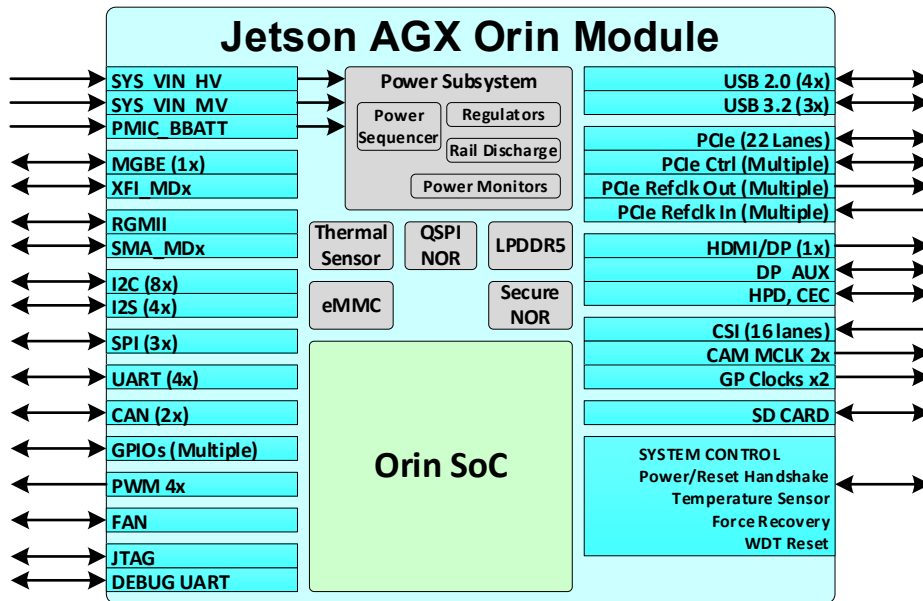
- ▶ **Power Management Controller (PMC):** The PMC primarily controls voltage transitions for the NVIDIA Orin™ SoC as it transitions to and from different low-power modes. It also acts as a target receiving dedicated power and clock request signals as well as wake event from dedicated GPIO, which can wake the module from a deep sleep state.
- ▶ **Power Gating:** NVIDIA Jetson AGX Orin SOM aggressively employ power-gating (controlled by the PMC) to power-off blocks that are idle. CPU cores are on a separate power rail to allow complete removal of power and eliminate leakage. Each CPU can be power gated independently internally. Software provides context save and restore to and from DRAM.
- ▶ **Dynamic Voltage and Frequency Scaling (DVFS):** Raises voltages and clock frequencies when demand requires, lowers them when less is sufficient, and removes them when none is needed. DVFS is used to change the voltage and frequencies on the following rails:
  - VDD\_CPU
  - VDD\_GPU
  - VDD\_CV
- ▶ **Real Time Clock (RTC):** The RTC Always On partition logic of the CPU Complex is not power gated. It can wake the system based on either a timer event or an external trigger (for example, key press). Wake on RTC Alarm is NOT supported on PMIC while the PMIC is in the Global Shutdown power state.

NVIDIA Jetson AGX Orin SOM has three power inputs:

- ▶ SYS\_VIN\_HV (7V to 20V input)
- ▶ SYS\_VIN\_MV (A 5V regulated input)
- ▶ PMIC\_BBATT (1.85V to 5.5V input) for RTC backup

Power is then supplied to the devices on board through a power sequencer IC and dedicated voltage regulators. All internal module voltages and I/O voltages are generated from these inputs. An optional back up battery can be attached to the **PMIC\_BBATT** module input (this will maintain the on system RTC, when VIN is not present). **SYS\_VIN\_MV** and **SYS\_VIN\_HV** must be supplied by the carrier board that the NVIDIA Jetson AGX Orin SOM is designed to connect to.

Figure 2-1. System Block Diagram



---

# Chapter 3. Power and System Management

## 3.1 Input Power

The NVIDIA Jetson AGX Orin SOM has three power inputs:

- ▶ SYS\_VIN\_HV: 7V–20V
- ▶ SYS\_VIN\_MV: 5V
- ▶ PMIC\_BBATT: (1.85V to 5.5V input) for RTC backup

Power is then supplied to the devices on board through power sequencer IC and dedicated voltage regulators. All internal module voltages and I/O voltages are generated from these inputs. Input powers must be supplied by the carrier board that the Orin Module is designed to connect to.

**PMIC\_BBATT** provides power for RTC backup.

The input voltage measured at the module connector should never exceed the voltage range defined in Table 7-2.

## 3.2 Power Sequencing

NVIDIA Jetson AGX Orin SOM and the product carrier board must be power sequenced properly to avoid potential damage to components on either the module or the carrier board system. The module is powered before the main carrier board circuits. Refer to the *NVIDIA Jetson AGX Orin Design Guide* for system level details on the application of power, power-up sequencing, power-down sequencing, and power monitoring.

## 3.3 Power States

The NVIDIA Jetson AGX Orin SOM operates in three main power modes: ON, Deep Sleep State (SC7), and OFF.

### 3.3.1 ON State

The ON power state is entered from OFF state. In this state, NVIDIA Jetson AGX Orin SOM is fully functional and will operate normally. An ON event must occur for a transition between OFF and ON states. The **VDDIN\_PWR\_BAD\_N** control is the carrier board indication to the NVIDIA Jetson AGX Orin SOM that the VIN power is good. The carrier board should assert this high only when VIN has reached its required voltage level and is stable. This prevents NVIDIA Jetson AGX Orin SOM from powering up until the VIN power is stable.

### 3.3.2 SC7 – Deep Sleep State

All CPU cores are powered off and software execution is suspended. System state is preserved in DRAM, which is put in self-refresh mode. Most I/Os and internal blocks are powered off.

Transitioning to a sleep state involves (among other things) the following:

- ▶ Freezing all running applications
- ▶ Synchronizing file system contents to storage devices
- ▶ Suspending individual device drivers and saving their state in DRAM
- ▶ Putting DRAM in self-refresh mode
- ▶ Powering off various Orin blocks
- ▶ Inactivity timeout, no CPU process needed, no devices are active
- ▶ OS is suspended
- ▶ CPU, SoC, GPU, and CV power rails are OFF
- ▶ PMC and RTC still available
- ▶ Wake event is triggered through GPIO pins (Refer to the *Jetson AGX Orin Pinmux* for more details)
  - PADS are powered off except for PADS which monitor wake events

### 3.3.3 OFF State

The OFF state is the default state when the system is not powered. It can only be entered from the ON state or through an OFF event.

Table 3-1. OFF Events

Event	Details	Preconditions
Power OFF	VIN power is disconnected or MODULE_POWER_ON signal going low.	In ON state
Software shutdown	Software will initiate.	ON state, software operational
Thermal shutdown	If the internal temperature of the module reaches an unsafe temperature, the hardware is designed to initiate a shutdown.	Any power state

---

# Chapter 4. NVIDIA Orin SoC Overview

At the heart of the NVIDIA Jetson AGX Orin SOM, is the NVIDIA Orin system on chip (SoC). NVIDIA Orin™ is a versatile SoC appropriate for a wide variety of perception and general compute tasks. High-level architecture of the SoC, is organized into three main processing complexes: CPU, GPU, and hardware accelerators.

CPUs include the Arm Cortex-A78AE based main CPU complex, which provides the general-purpose high-speed computing capability.

The graphics processing unit (GPU) is an NVIDIA Ampere Architecture GPU. It provides advanced parallel-processing computing capability for the CUDA language. It supports rich range of tools from NVIDIA such as NVIDIA® TensorRT™, a deep learning inference optimizer and runtime that delivers low latency and high-throughput. Ampere also provides state-of-the-art graphics capabilities including real-time ray-tracing.

The domain-specific hardware accelerators (DSAs) are a set of special-purpose hardware engines. They intended to offload a variety of computing tasks from the computing engines, and to perform these with high throughput and power efficiency.

The premium performance and integrated capabilities of this purpose built SoC, coupled with its rich I/O, reduces complexity in system integration making the Orin SoC the ideal choice for variety of complex applications.

## 4.1 NVIDIA Ampere GPU

The NVIDIA Ampere GPU introduces a new design for the Streaming Multiprocessor (SM) that dramatically improves performance per watt and performance per area, along with supporting 3<sup>rd</sup> generation tensor cores and TensorRT cores. Ampere GPUs improve on the previous NVIDIA Turing™ generation; and are software compatible so that the same APIs are used.

The NVIDIA Ampere Architecture GPU has a number of enhancements for compute and graphics capability that include:

- ▶ Sparsity: fine grained structured sparsity doubles throughput and reduces memory usage.
- ▶ 2× CUDA floating-point performance: higher compute math speed.
- ▶ SM architecture improves bandwidth to the L1 cache and shared memory and reduces L1 miss latency.
- ▶ Improved async compute, and post-L2 cache compression compared to NVIDIA Turing.



## 4.1.1 Compute Features

Ampere introduces third-generation NVIDIA Tensor Cores which offer a wider range of precisions including TensorFloat-32 (TF32), bfloat16, FP16, and INT8 all of which provide unmatched versatility and performance.

TensorFloat-32 (TF32) is a new format that uses the same 10-bit mantissa as half-precision (FP16) math and is shown to have more than sufficient margin for the precision requirements of AI workloads. In addition, since the TF32 adopts the same 8-bit exponent as FP32 it can support the same numeric range.

Ampere adds support for structured sparsity. Not all the parameters of modern AI networks are needed for accurate predictions and inference, and some can be converted to zeros to make the models “sparse” without compromising accuracy. The Tensor Cores in Ampere can provide up to 2× higher performance for inference of sparse models.

Ampere supports Compute Data Compression which can accelerate unstructured sparsity and other compressible data patterns. Compression in L2 provides up to a 4× improvement in DRAM read/write bandwidth, up to 4× improvement in L2 read bandwidth, and up to a 2× improvement in L2 capacity.

Ampere also supports many other enhancements for higher compute throughput.

## 4.1.2 Graphics Features

Ampere graphics capabilities include:

- ▶ End-to-end lossless compression, including Post-L2 compression, enabling compression of SM stores.
- ▶ Tiled Caching
- ▶ OpenGL 4.6+, Vulkan 1.2+, CUDA 10.2+
- ▶ Adaptive Scalable Texture Compression (ASTC) LDR profile supported
- ▶ Modern Graphics features:
  - Ray Tracing
  - DL Inferencing
  - Mesh Shaders
  - Sampler Feedback
  - Variable Rate Shading
  - Texture LOD in compute programs
- ▶ Iterated blend, ROP OpenGL-ES blend modes
- ▶ 2D BLIT from 3D class avoids channel switch
- ▶ 2D color compression
- ▶ Constant color render SM bypass
- ▶ 2×, 4×, 8× MSAA with color and Z compression
- ▶ Non-power-of-2 and 3D textures, FP16 texture filtering

- ▶ FP16 shader support
- ▶ Geometry and Vertex attribute Instancing
- ▶ Parallel pixel processing
- ▶ Early-z reject: Fast rejection of occluded pixels acts as multiplier on pixel shader and texture performance while saving power and bandwidth
- ▶ Video protection region

### 4.1.3 GPU Architecture

There are multiple texture processing clusters (TPC) units within a graphics processing cluster (GPC), each TPC includes two SMs, a Polymorph Engine, two Texture Units, and a Ray Tracing core (RTcore). Each GPC includes a Raster Engine (ROP), which can access all of memory. Each SM is partitioned into four separate processing blocks, each with its own instruction buffer, scheduler and 128 CUDA cores.

The GPC is a dedicated hardware block for rasterization, shading, texturing, and compute. The GPU's core graphics functions are performed inside the GPC. Inside the GPC, the SM CUDA cores perform pixel/vertex/geometry shading and physics/compute calculations. Texture units perform texture filtering and load/store units fetch and save data to memory. Special Function Units (SFUs) handle transcendental and graphics interpolation instructions. Tensor cores perform matrix multiplies to greatly accelerate DL inferencing. The RTcore unit assists ray-tracing by accelerating Bounding Volume Hierarchy (BVH) traversal and intersection of scene geometry during ray tracing.

Finally, the PolyMorph engine handles vertex fetch, tessellation, viewport transform, attribute setup, and stream output. The SM geometry and pixel processing performance make it highly suitable for rendering advanced user interfaces and complex gaming applications. The power efficiency of the Ampere GPU enables this performance on devices with power-limited environments.

## 4.2 CPU Complex

The CPU cluster is comprised of 12-cores (JAO 64GB) or 8-cores (JAO 32GB) of Arm Cortex-A78AE Core processors organized as multiple quad-core clusters. Clusters contain private L1 and L2 caches per core, a Snoop Control Unit (SCU), and a cluster-level L3 cache (shared by the four cores), an interconnect fabric and debug support modules (CoreSight).

## 4.2.1 CPU

Features:

- ▶ Superscalar, variable-length, and out-of-order pipeline.
- ▶ Dynamic branch prediction with Branch Target Buffer (BTB) and a branch direction predictor using previous branch history, a return stack, a static predictor, and an indirect predictor.
- ▶ A 1.5K entry, 4-way skewed associative L0 Macro-OP (MOP) cache.
- ▶ 32-entry fully-associative L1 instruction TLB with native support for 4KB, 16KB, 64KB, and 2MB page sizes.
- ▶ 32-entry fully-associative L1 data TLB with native support for 4KB, 16KB, 64KB, 2MB, and 512MB page sizes.
- ▶ 4-way set-associative unified 1024-entry Level 2 (L2) TLB in each processor.
- ▶ L1 caches – separate 64 KB I-cache and 64 KB D-cache for each core.
- ▶ L2 cache – a unified, 8-way set associative, 256 KB L2 cache per core.
- ▶ 40-bit Physical Address (PA).

The Cortex-A78AE CPU supports:

- ▶ Full implementation of Armv8.2-A architecture instruction set and select instructions from Armv8.3-A, Armv8.4-A and Armv8.5-A extensions.
- ▶ Embedded Trace Microcell (ETM) based on the ETMv4.2 architecture.
- ▶ Performance Monitor Unit (PMU) based on the PMUv3 architecture.
- ▶ CoreSight for debugging based on CoreSightv3 architecture.
- ▶ Cross Trigger Interface (CTI) for multiprocessor debugging.
- ▶ Generic Timer Interface based on Armv8-A architecture and 64-bit count input from external system counter.
- ▶ Cryptographic Engine for crypto function support.
- ▶ Interface to an external Generic Interrupt Controller based on GICv3 architecture.
- ▶ Power management with multiple power domains.

## 4.2.2 Supporting Features

The CPU clusters contain supporting features including:

- ▶ Debug, power-management
- ▶ Arm CoreLink GIC-600AE Generic Interrupt Controller
- ▶ Error detection and reporting

## 4.2.3 Performance Monitoring

A performance monitoring unit in each core (provided as part of the Arm Cortex-A78 core) provides six counters, each of which can count any of the events in the processor. The unit

gathers various statistics on the operation of the processor and memory system during runtime, based on Arm PMUv3 architecture. In addition, the DSU provides six counters to gather various statistics on the operation of the memory of the cluster during runtime.

## 4.3 Programmable Vision Accelerator and Deep Learning Accelerator Cluster

This cluster consists of two primary engines: Programmable Vision Accelerator (PVA) and Deep Learning Accelerator (DLA).

The Orin PVA is the second generation of NVIDIA's vision DSP architecture, which is an application-specific instruction vector processor that targets computer-vision along with virtual and mixed reality applications. These are some key areas where PVA capabilities are a good match for algorithmic domains that need to have a predictable processing capability, at low power and low latency.

A PVA cluster has the following components:

- ▶ Dual Vector Processing Units (VPU) with vector cores, instruction cache, and 3 vector data memories. Each unit has seven VLIW slots including both scalar and vector instructions.
- ▶ 384 KBytes of triple-port memory for each VPU
- ▶ Dual DMA engines with 5-dimensional addressing capability, each with 16 independent hardware channels, and sophisticated control to have both hardware and software events trigger the DMA channels.
- ▶ 1 MByte local L2 cache.
- ▶ Cortex-R5 subsystem for PVA control and task monitoring.

The DLA is a fixed function engine used to accelerate inference operations on convolutional neural networks (CNNs). Orin implements the second generation of NVIDIA's DLA architecture. The DLA supports accelerating CNN layers such as convolution, deconvolution, activation, pooling, local response normalization, and fully-connected layers.

Specific optimizations include:

- ▶ Structured Sparsity
- ▶ Depth-wise Convolution capability
- ▶ A dedicated Hardware Scheduler to maximize efficiency

## 4.4 Multi-Standard Video Decoder

The SOM incorporates a single instance of the NVIDIA Multi-Standard Video Decoder (NVDEC). This video decoder accelerates video decode, supporting low resolution mobile content, Standard Definition (SD), High Definition (HD) and UltraHD (8K, 4K, etc.) video profiles. The

video decoder is designed to be extremely power efficient without sacrificing performance. The video decoder communicates with the memory controller through the video DMA which supports a variety of memory format output options. For low-power operations, the video decoder can operate at the lowest possible frequency while maintaining real-time decoding using dynamic frequency scaling techniques.

Video decode standards supported: H.265 (HEVC), H.264, VP9, VP8, AV1, MPEG-4, MPEG-2, and VC-1.

**Table 4-1. Supported Video Decode Streams JAO 64GB**

Standard	Profiles	Resolution (Maximum Number of Streams)	Throughput (Up to)	Max Cumulative Bitrate (Mbps)
H.264	Baseline, Main, High	4K60 (1)   4K30 (3)   1080p60 (6)   1080p30 (13)	850 MPix/s	220
	High 444, High 444 Predictive, MVC (per view considering 2 views) <sup>1</sup>	4K30 (1)   1080p60 (3)   1080p30 (6)	425 MPix/s	200
H.265 (HEVC)	Main, Main10	8K30 (1)   4K60 (3)   4K30 (7)   1080p60 (11)   1080p30 (22)	1300 MPix/s	300
	Main444, Main444 10, MV (per view)	4K60 (1)   4K30 (3)   1080p60 (5)   1080p30 (11)	650 MPix/s	200
AV1	Main Profile	8K30 (1)   4K60 (3)   4K30 (6)   1080p60 (12)   1080p30 (24)	1200 MPix/s	150
VP9	Profile 0, Profile 2	8K30 (1)   4K60 (3)   4K30 (6)   1080p60 (9)   1080p30 (18)	1200 MPix/s	200
Notes:				
<sup>1</sup> Maximum throughput half for YUV444 – as compared to YUV420				

**Table 4-2. Supported Video Decode Streams JAO 32GB**

Standard	Profiles	Resolution (Maximum Number of Streams)	Throughput (Up to)	Max Cumulative Bitrate (Mbps)
H.264	Baseline, Main, High	4K60 (1)   4K30 (2)   1080p60 (5)   1080p30 (11)	720 MPix/s	185
	High 444, High 444 Predictive, MVC (per view considering two views) <sup>1</sup>	4K30 (1)   1080p60 (2)   1080p30 (5)	360 MPix/s	170
H.265 (HEVC)	Main, Main10	8K30 (1)   4K60 (2)   4K30 (4)   1080p60 (9)   1080p30 (18)	1100 MPix/s	250

Standard	Profiles	Resolution (Maximum Number of Streams)	Throughput (Up to)	Max Cumulative Bitrate (Mbps)
	Main444, Main444 10, MV (per view)	4K60 (1)   4K30 (2)   1080p60 (4)   1080p30 (9)	550 MPix/s	170
AV1	Main Profile	8K30 (1)   4K60 (2)   4K30 (4)   1080p60 (10)   1080p30 (20)	1000 MPix/s	120
VP9	Profile 0, Profile 2	4K60 (1)   4K30 (3)   1080p60 (7)   1080p30 (15)	1000 MPix/s	170

Notes:

<sup>1</sup>Maximum throughput half for YUV444 – as compared to YUV420

## 4.5 Multi-Standard Video Encoder

The SOM incorporates a single instance of the NVIDIA Multi-Standard Video Encoder (NVENC). This multi-standard video encoder enables full hardware acceleration of various encoding standards. It performs high quality video encoding operations for mobile applications such as video recording and video conferencing. The encode processor is designed to be extremely power efficient without sacrificing performance.

Video encode standards supported: H.265 (HEVC), H.264, AV1.

Table 4-3. Supported Video Encode Streams JAO 64GB

Standard	Profiles	Resolution (Maximum Number of Streams)	Throughput (Up to)	Max Cumulative Bitrate (Mbps)
H.264	UHP	4K60 (1)   4K30 (3)   1080p60 (7)   1080p30 (14)	930 MPix/s	160
	HP	4K60 (1)   4K30 (2)   1080p60 (4)   1080p30 (9)	530 MPix/s	320
	HQ	4K30 (1)   1080p60 (2)   (4) 1080p30	280 MPix/s	640
H.265 (HEVC)	UHP	4K60 (2)   4K30 (4)   1080p60 (8)   1080p30 (16)	1000 MPix/s	160
	HP	4K30 (1)   1080p60 (3)   1080p30 (7)	500 MPix/s	320
	HQ	1080p60 (1)   1080p30 (3)	200 MPix/s	640
AV1	UHP	4K60 (2)   4K30 (4)   1080p60 (7)   1080p30 (15)	1000 MPix/s	160
	HQ	4K60 (1)   4K30 (2)   1080p60 (3)   1080p30 (7)	480 MPix/s	320

Table 4-4. Supported Video Encode Streams JAO 32GB

Standard	Profiles	Resolution (Maximum Number of Streams)	Throughput (Up to)	Max Cumulative Bitrate (Mbps)
H.264	UHP	4K60 (1)   4K30 (2)   1080p60 (5)   1080p30 (11)	730 MPix/s	120
	HP	4K30 (1)   1080p60 (3)   1080p30 (7)	420 MPix/s	250
	HQ	1080p60 (1)   1080p30 (3)	220 MPix/s	500
H.265 (HEVC)	UHP	4K60 (1)   4K30 (3)   1080p60 (6)   1080p30 (12)	800 MPix/s	120
	HP	4K30 (1)   1080p60 (3)   1080p30 (6)	400 MPix/s	250
	HQ	1080p60 (1)   1080p30 (2)	140 MPix/s	500
AV1	UHP	4K60 (1)   4K30 (3)   1080p60 (6)   1080p30 (12)	750 MPix/s	120
	HQ	4K30 (1)   1080p60 (3)   1080p30 (6)	380 MPix/s	250

## 4.6 Optical Flow Accelerator

The Optical Flow Accelerator (OFA) is a hardware accelerator for computing optical flow and stereo disparity between the frames.

OFA can operate in Stereo Disparity Mode and Optical Flow Mode.

OFA generates disparity and flow vector block-wise, one output for each input block of 8x8, 4x4, 2x2, and 1x1 pixels (referred as output grid size). The generated output can be further post-processed to improve accuracy, up sampled to produce dense map.

### ► Stereo Disparity Mode

- OFA processes rectified left and right view of stereo captures and generates disparity values between them.
- The output stereo disparity format is fixed signed 10.5 (2 bytes per disparity output). We need to divide the output values by 32 to get a disparity value in terms of pixel units.

### ► Optical Flow Mode

- OFA generates optical flow between two given frames.
- The input to OFA in this mode is image pyramid of input and reference frames with fixed scale factor of 2. As search range of single layer is small, each pyramid level will search around output of previous pyramid level.
- OFA generates a flow vector has X and Y component that represent motion in X and Y direction. The output flow format is fixed signed 10.5 (4 bytes per flow vector). We need to divide the output values by 32 to get a disparity value in terms of pixel units.

Table 4-5. Optical Flow Accelerator

OFA Parameter	Description
Input Image Size	Minimum size: 32 × 32 Maximum size: 8192 × 8192 No alignment requirement
Input Image format / bit depth	Luma / Single channel Input Supports bit depth of 8/10/12/16 bits
Disparity Output	Disparity Map in fixed S 10.5 format
Flow Output	Flow Map (mvx, mvy) in fixed S10.5 format
Hardware Cost Output	Hardware cost for winner disparity candidate 8 bit per output / Range 0 - 255
Output Grid Size	1x1/2x2/4x4/8x8
Maximum Disparity Range	128 / 256
Search Direction	Left / Right Disparity Map
Region Of Interest Support	Supports maximum 32 ROI per stereo pair
Max Pyramid Levels for Flow	5

Table 4-6. OFA Streams

Mode	Grid Size	Resolution (Maximum Number of Streams)	Throughput (Up to)
Optical Flow	8x8	4K60 (1)   4K30 (3)   1080p60 (7)   1080p30 (15)	940 MP/S
	4x4	4K30 (1)   1080p60 (2)   1080p30 (5)	330 MP/S
Stereo	8x8	4K60 (3)   4K30 (6)   1080p60 (13)   1080p30 (27)	1700 MP/S
	4x4	4K30 (1)   1080p60 (3)   1080p30 (7)	460 MP/S

## 4.7 NVJPEG

The JPEG processing block is responsible for JPEG (de)compression calculations (based on JPEG still image standard), image scaling, decoding (YUV420, YUV422H/V, YUV444, YUV400) and color space conversion (RGB to YUV).

It consists of hardware engine with two instances of NVJPEG HW:

- ▶ 2x NVJPEG
- ▶ Perf: 2x 600Mpix/Sec



Table 4-7. NVJPEG Streams per Instance

NVJPEG	Compression Ratio	Throughput (Up to)	Number of 1080p30 Streams	Number of 4K30 Streams
Decode	6:1	756 MPix/s	12	3x
	10:1	756 MPix/s	15	3x
Encode	6:1	756 MPix/s	15	3x
	10:1	756 MPix/s	20	5x

**Notes:**

2x NVJPG engines are present in Orin. The data in this table is for single instance of NVJPG

Results at 880 MHz for 4:2:0 and aggregate across two NVJPEG blocks

Throughput for 4:4:4 will be roughly half of the above

Input (encode) formats:

- Pixel width: 8 bpc
- Subsample format: YUV420
- Resolution (up to): 16K x 16K
- Pixel pack format
  - > Semi-planar/Planar for 420

Output (decode) formats:

- Pixel width 8 bpc
- Resolution (up to): 16K x 16K
- Pixel pack format
  - > Semi-planar/Planar for YUV420
  - > YUY2/Planar for 422H/422V
  - > Planar for YUV444/YUV400
  - > Interleaved RGBA

## 4.8 Sensor Processing Engine

The Cortex-R5 processor in the Always On (AON) block is also referred to as the Sensor Processing Engine (SPE). The AON cluster provides all the necessary hardware features to support low power sensor management and wake use cases. The cluster consists of an Arm Cortex-R5 processor core with a tightly coupled RAM, supporting peripherals (such as timers and an interrupt controller), various I/O controller peripherals, and routing logic.

AON Cortex-R5 implementation:

- ▶ Armv7-R ISA
- ▶ Integrated instruction and data caches
- ▶ Tightly coupled memory (TCM) interface for local SRAM
- ▶ Vectored interrupt support
- ▶ 64-bit AXI Initiator interface for DRAM requests

- ▶ 32-bit AXI Initiator interface for MMIO requests
- ▶ 32-bit AHB Initiator interface for Arm Vectored Interrupt Controller (AVIC) access
- ▶ AXI Target interface for DMA access to the local SRAM

## 4.9 Security Subsystem

This subsystem is comprised of the following:

- ▶ Platform Security Controller (PSC)
- ▶ Security Engine (SE)

### 4.9.1 Platform Security Controller

The Platform Security Controller (PSC) is a highly secure subsystem to protect and manage assets (keys, fuses, functions, and features) within the SoC, provide trusted services, increase resilience against attacks on the SoC, and provide a greater level of protection against software and hardware attacks on the subsystem itself.

**Key Management and Protection:** The PSC will be the only mechanism with access to the most critical secrets in the chip. This subsystem represents the highest level of protection in Orin and the subsystem itself is highly resilient to a wide range of software and hardware attacks.

**Trusted Services:** The primary PSC services include secure authentication (for example, during SoC secure boot), provisioning of additional keys, ID, data, key access and management, random number generation, and trusted time reporting.

**Security Monitor:** The PSC will be responsible for periodic security housekeeping tasks, including continually assessing the security status of the SoC, actively monitor known or potential attack patterns (for example, such as voltage glitching or thermal attacks), mitigate hardware attack risks, and to take action in the case of a detected attack. The PSC will have the ability to accept updates as workarounds to improve the robustness of the system in the field.

### 4.9.2 Security Engine

The Security Engine (SE) provides hardware acceleration for cryptographic algorithms. There are two instances of SE available for software usage:

- ▶ TZ-SE: accessible only by TrustZone software
- ▶ NS/TZ-SE: configurable to be accessible only by TrustZone software or TrustZone and non-secure software

The SE provides hardware acceleration for various cryptographic operations and hardware-assisted Key protection. The crypto operations that the SE provides can be used by software to build crypto protocols and security features. All of these crypto operations are based on Crypto algorithms approved by the National Institute of Standards and Technology (NIST).

The SE supports the following:

- ▶ NIST-compliant asymmetric, symmetric cryptography and hashing
- ▶ Side channel countermeasures [AES/RSA/ECC]
- ▶ Independent channels for parallelization
- ▶ Hardware Key Access Controls (KAC): Rule-based, hardware-enforced access control for symmetric keys
- ▶ 16× AES, 4× RSA/ECC key slots
- ▶ Hardware key isolation (only AES keyslots)
- ▶ Read protection (only AES keyslots)
- ▶ Hardware keyslot functions
- ▶ Key wrap and unwrap functionality (AES -> AES keyslot)
- ▶ Key derivation into a keyslot (KDF -> AES keyslot)
- ▶ Random key generation (RNG -> AES keyslot)

## 4.10 Jetson AGX Orin SOM Memory

64 GB 256-bit LPDDR5 DRAM is used on the NVIDIA JAO 64GB. 32 GB 256-bit LPDDR5 DRAM is used on the NVIDIA JAO 32GB. JAO supports the following:

- ▶ Secure external memory access using TrustZone technology
- ▶ System MMU
- ▶ Maximum operating frequency: 3200 MHz

Other non-volatile memory used on the module are:

- ▶ 64 GB eMMC 5.1
- ▶ 64 MB NOR Boot Flash (QSPI)
- ▶ 8 MB NOR Secure Key Flash

---

# Chapter 5. Interfaces

## 5.1 USB Interfaces

The NVIDIA Jetson AGX Orin SOM provides 4x USB 2.0 and 3x USB3.2 Gen2 x1 port for communication to external peripheral devices. In host mode, the USB3.2 host controller supports up to Gen2 Super Speed+, 10 Gbps. In device mode, the USB3.2 controller supports up to Gen1 Super Speed.



**Note:** There are two hubs internal for USB 3.2. Each has 10 Gbps bandwidth. One hub is for ports 0 and 1. The other for ports 2 and 3.

USB interfaces are compliant with the following USB specifications:

- ▶ *Universal Serial Bus Specification* Revision 3.2 Gen1 and Gen2
- ▶ *Universal Serial Bus Specification* Revision 2.0, plus the following:
  - Modes: Host and Device (Only USB 2.0 port USB0 supports RCM, Host, Device Mode. All other ports are Host only)
  - Speeds: Low, Full, and High
  - *USB Battery Charging 1.2 Specification*
- ▶ *Enhanced Host Controller Interface Specification for Universal Serial Bus* Revision 1.0

## 5.2 SD and eMMC Controller

The Secure Digital (SD) and Embedded Multimedia Card (eMMC) controller is capable of interfacing to SD, SDIO, eSD, and eMMC cards. It has a direct memory interface and is capable of initiating data transfers between system memory and an external card or device. The SD and eMMC controller support two different bus protocols: SD and eMMC bus protocol for eMMC cards.

Features of the controller are:

- ▶ Supports 4-bit data interface for SD cards
- ▶ Allows card to interrupt host in 1 bit, and 4-bit modes
- ▶ Supports Read wait Control, Suspend/Resume operation for SDIO cards

- ▶ Supports FIFO overrun and underrun condition by stopping SD clock
- ▶ Supports addressing larger capacity SD 3.0 or SD-XC cards up to 2 TB

## 5.3 Serial Peripheral Interface

There are 3x general-purpose serial peripheral interface (SPI) buses available on the NVIDIA Jetson AGX Orin SOM. The SPI controller allows a duplex, synchronous, serial communication between the controller and external peripheral devices. It consists of four signals:

- ▶ CS\_N (Chip select)
- ▶ SCK (clock)
- ▶ MOSI (Initiator data out and Target data in)
- ▶ MISO (Initiator data in and Target data out)

The data is transferred on MISO or MOSI based on the data transfer direction on every SCK edge. The receiver always receives the data on the other edge of SCK.

Features of the SPI controller include:

- ▶ Initiator and target functionality
  - Initiator: support all modes in the “SPI Mode Descriptions” table (Table 5-1)
  - Target: support Mode 1 and Mode 3 in the “SPI Mode Descriptions” table (Table 5-1)
- ▶ Independent Rx FIFO and Tx FIFO.
- ▶ Software-controlled bit-length supports packet sizes of 4-bits to 32-bits.
- ▶ Packed mode support for bit-length of three (4-bit packet size), seven (8-bit packet size) 15 (16-bit packet size), and 31 (32-bit packet size)
- ▶ CS\_N can be selected to be controlled by software, or it can be generated automatically by the hardware on packet boundaries
- ▶ Simultaneous receive and transmit supported
- ▶ SPI1 and SPI3 support two chip-selects.
- ▶ SPI6 supports:
  - Initiator Mode 0 only
  - SDR mode only
  - SPI x1 and dual SPI x2 modes (both half-duplex)

Table 5-1. SPI Mode Descriptions

SPI Mode	Clock Polarity	Clock Phase	SCK Inactive State	Data Latch In	Data Latch Out
0	0	0	Low	Latched IN on the positive edge of clock	Latched OUT on the negative edge of clock
1	0	1	Low	Latched IN on the negative edge of clock	Latched OUT on the positive edge of clock
2	1	0	High	Latched IN on the negative edge of clock	Latched OUT on the positive edge of clock
3	1	1	High	Latched IN on the positive edge of clock	Latched OUT on the negative edge of clock

## 5.4 I2C Controller

8x general-purpose I2C controller allows system expansion for I2C-based devices, such as cameras, sensors, voltage monitor, thermal monitor, serial ADC/DAC, and serial EPROMs, as defined in the NXP inter-IC-bus (I2C) specification. I2C6 can be used either for DP AUX or I2C.

The I2C bus supports serial device communications to multiple devices. The I2C controller handles clock source negotiation, speed negotiation for standard and fast devices, and 7-bit target address support according to the I2C protocol and supports Initiator and Target mode of operation.

The I2C controller supports the following operating modes for both Initiator and Target: Standard-mode (Sm, up to 100 Kbit/s), Fast-mode (Fm, up to 371.585 Kbit/s), Fast-mode plus (Fm+, up to 985 Kbit/s). The I2C controller also supports Multi-Master operation.

## 5.5 UART

The NVIDIA Jetson AGX Orin SOM has 4x general-purpose UART ports. UART controller provides serial data synchronization and data conversion (parallel-to-serial and serial-to-parallel) for both receiver and transmitter sections. Synchronization for serial data stream is accomplished by adding start and stop bits to the transmit data to form a data character. Data integrity is accomplished by attaching a parity bit to the data character. The parity bit can be checked by the receiver for any transmission bit errors.

Features of UART are:

- ▶ Synchronization for the serial data stream with start and stop bits to transmit data and form a data character
- ▶ Supports both 16450- and 16550-compatible modes. Default mode is 16450
- ▶ Device clock up to 200 MHz, baud rate of 12.5 Mbits/second
- ▶ Data integrity by attaching parity bit to the data character

- ▶ Support for word lengths from five to eight bits, an optional parity bit and one or two stop bits
- ▶ Support for modem control inputs
- ▶ DMA capability for both Tx and Rx
- ▶ 8-bit × 36 deep Tx FIFO
- ▶ 11-bit × 36 deep Rx FIFO. 3 bits of 11 bits per entry will log the RX errors in FIFO mode (break, framing, and parity errors as bits 10, 9, 8 of FIFO entry)
- ▶ Auto sense baud detection
- ▶ Time out interrupts to indicate if the incoming stream stopped
- ▶ Priority interrupts mechanism
- ▶ Flow control support on RTS and CTS (hardware and software controlled)
- ▶ Internal loop-back
- ▶ SIR encoding/decoding (3/16 or 4/16 baud pulse widths to transmit bit zero)

## 5.6 RGMII

The NVIDIA Jetson AGX Orin SOM integrates an Ethernet controller/MAC with AVB support and provides a Reduced Gigabit Media Independent Interface (RGMII) to an external Ethernet PHY or switch. The transmit clock signal is provided by the MAC and is synchronous with the data signals. The timing of NVIDIA Orin SoC complies with the original RGMII mode of *Reduced Gigabit Media Independent Interface (RGMII) Specification, Version 2.0*

## 5.7 MGBE

The NVIDIA Jetson AGX Orin SOM has one integrated Multi-Gigabit Ethernet (MGBE) controller that can support up to 41 Gbps of total bandwidth.

The MGBE controller can independently operate in 2.5 Gbps, 5 Gbps, or 10 Gbps throughput mode, enabling NVIDIA Orin SoC to transmit and receive data over Ethernet in compliance with IEEE 802.3-2015 standard.

The NVIDIA Orin SoC MGBE controller can be connected to external devices like Ethernet PHY's and Switches through XFI differential lanes.

## 5.8 CAN

The Controller Area Network (CAN) is a vehicular bus standard for communication between microcontrollers and devices within the vehicle. The CAN bus is a multi-Initiator serial bus for connecting multiple nodes within a vehicle using a message-based protocol. The NVIDIA Jetson AGX Orin SOM supports connectivity to two CAN networks.

Features of CAN are:

- ▶ CAN protocol Version 2.0A, Version 2.0B, and ISO 11898-1:2006/11898-1:2015
- ▶ Support ISO11898-1:2006 FD format and BOSCH FD format
- ▶ Dual clock source, enabling FM-PLL designs
- ▶ 16, 32, 64 or 128 Message Objects (configurable)
- ▶ Each Message Object has its own Identifier mask
- ▶ Programmable FIFO mode
- ▶ Programmable loop-back mode for self-test
- ▶ Parity check for message RAM (optional)
- ▶ Maskable interrupt, two interrupt lines
- ▶ Power-down support
- ▶ Supports TT CAN
- ▶ TTCAN Level 0, 1, and 2
- ▶ Time Mark Interrupts
- ▶ Stopwatch
- ▶ Watchdog timer
- ▶ Synchronization to external events

## 5.9 Display Interfaces

The NVIDIA Jetson AGX Orin SOM provides 1x HDMI and DP port. The HDMI™ and VESA DisplayPort (DP) interfaces share the same set of interface pins.

HDMI provides a unified method of transferring both audio and video data. The HDMI block receives video from either display controller and audio from a separate high-definition audio (HDA) controller; it combines and transmits them as appropriate.



Supported HDMI features are:

- ▶ Compliant to the HDMI 2.0 (up to 594 MHz pixel clock rate) and HDMI 2.1 (Fixed Rate Link at 3 Gbps, 6 Gbps, 8 Gbps, 10 Gbps, or 12 Gbps)
  - Support 8/10/12 bpc RGB, YUV444, YUV420, or YUV422 (HDMI 2.0 only)
- ▶ HDCP 2.2 and 1.4
- ▶ On-chip HDCP key storage, no external SecureROM required
- ▶ Multichannel audio from HDA controller, up to eight channels 192 kHz 24-bit
- ▶ 24-bit RGB and 24-bit YUV444 (HDMI) pixel formats

VESA DisplayPort (DP) is a digital display interface often used to connect a video source to a display device over a cable, in consumer or commercial applications. Embedded DisplayPort (eDP) is based on DP but intended for embedded applications where the display panel is integrated. For embedded use cases that require multiple display support using MST, and DP is intended to interface with SerDes devices that in turn could support multiple displays. Using SerDes can provide long-distance, low-EMI connection for multiple displays. DP or eDP is a mixed-signal interface consisting of four differential serial I/O lanes.

Supported DisplayPort features are:

- ▶ Compliant to the DisplayPort 1.4a Specification
  - Support 16 bpp YUV422
  - Support 18 bpp RGB
  - Support 24 bpp RGB/YUV444
  - Support 30 bpp RGB/YUV444
  - Support 36 bpp RGB/YUV444
- ▶ Support up to 810 MHz pixel clock
- ▶ Support for 1/2/4 lanes
- ▶ Support for following bit rates:
  - RBR (Reduced Bit Rate, 1.62 Gbps)
  - HBR (High Bit Rate, 2.7 Gbps)
  - HBR2 (High Bit Rate 2, 5.4 Gbps)
  - HBR3 (High Bit Rate 3, 8.1 Gbps)
- ▶ Multi-Stream Transport (MST)
- ▶ Support for 2-8 channel audio streaming up to 96 kHz sample rate
- ▶ Support additional eDP 1.4 features:
  - Additional link rates (2.16, 2.43, 3.24, 4.32 Gbps)
  - Enhanced framing
  - Power sequencing
  - Reduced AUX timing
  - Reduced main voltage swing
  - Alternate Seed Scrambler Reset (ASSR) for internal eDP panels

## 5.10 Audio Interfaces

The Audio Controller transports streaming audio data between system memory and an audio codec. The controller supports I2S format, Left-justified Mode format, Right-justified Mode format, and DSP mode format, as defined in the Philips inter-IC-sound (I2S) bus specification. The timing in the following sections applies to any of these interfaces depending on whether they are configured for I2S or TDM mode.

The I2S controller supports point-to-point (P2P) serial interfaces for the I2S digital audio streams. I2S-compatible products, such as compact disc players, digital audio tape devices, digital sound processors, and those with digital TV sound may be directly connected to the I2S controller. The controller also supports the PCM and telephony mode of data-transfer. Pulse-Code-Modulation (PCM) is a standard method used to digitize audio (particularly voice) patterns for transmission over digital communication channels. The Telephony mode is used to transmit and receive data to and from an external mono codec in a slot-based scheme of time-division multiplexing. The I2S controller supports bidirectional audio streams and can operate in half-duplex or full-duplex mode.

When DAP port operates as I2S (Initiator and Target modes) interface, it supports clock rates up to 12.288 MHz and comply with I2S specification.

When DAP port operates as TDM/PCM interface, it supports clock rates up to 24.576 MHz.

Features for audio interfaces are:

- ▶ Basic I2S modes to be supported (I2S, RJM, LJM, and DSP) in both Initiator and Target modes.
- ▶ PCM mode with short (one-bit-clock wide) and long-fsync (two bit-clocks wide) in both Initiator and Target modes.
- ▶ NW-mode with independent slot-selection for both Tx and Rx
- ▶ TDM mode with flexibility in number of slots and slots selection.
- ▶ Capability to drive-out a High-z outside the prescribed slot for transmission.
- ▶ Flow control for the external input and output stream.

## 5.11 Pulse-Width Frequency Modulation Interface

There are 4x pulse-width frequency modulation (PWM) frequency dividers with a varying pulse width available on the NVIDIA Jetson AGX Orin SOM. FAN PWM and PWM1 are assigned at the connector. Other two PWMs are available for customer use but may not be forward compatible.

The PWM runs off a device clock programmed in the Clock and Reset controller. The source can either be the OSC clock (38.4 MHz) or PLLP (408 MHz). The source is first divided by 256,

and then again by a 13-bit register value, to generate the PWM frequency. The duty cycle is a controlled by an 8-bit register value.

## 5.12 General Purpose I/O

The NVIDIA Jetson AGX Orin SOM offers several General Purpose I/O pins. Some GPIOs are dedicated, and others are alternative GPIOs. Each GPIO pin is configurable for input or output direction and can be read or written to individually. All GPIOs support interrupt capability. For GPIO voltage level and characteristics, refer to “Pin Type” in the SOM pin list which provides their voltage rail and pad type. Some limitations apply to alternative GPIOs.



**Notes:** GPIOs are push-pull only. Configuring as open drain or bidirectional I/O is performed through software emulation.

GPIOs supporting 3.3V tolerance can become true open drain if 3.3V tolerance is enabled.

## 5.13 JTAG

The NVIDIA Jetson AGX Orin SOM has a JTAG interface that can be used for boundary scan testing or for debugging. JTAG clock can be driven up to 15 MHz. However, during boundary scan, its frequency should not exceed 7.5 MHz.

## 5.14 System Control signals

The NVIDIA Jetson AGX Orin SOM provides a set of system control signals. They are used for the following:

- ▶ Power handshaking
- ▶ Temperature sensing of attached devices
- ▶ System forced recovery
- ▶ Voltage monitor interrupts
- ▶ In-System-Testing
- ▶ WDT reset

## 5.15 UPHY Configurations

The NVIDIA Jetson AGX Orin SOM supports up to PCIe Gen4 speed. The PCIe lanes can be configured as x1, x2, x4, and x8. The PCIe controllers can be used as root ports or endpoint devices modes. Refer to the *NVIDIA Jetson AGX Design Guide* for supported UPHY configurations for the NVIDIA Jetson AGX Orin SOM.

## 5.16 CSI Configurations

The NVIDIA Jetson AGX Orin SOM has four CSI x4 bricks (16 lanes and trios total) supporting a variety of device types and camera configurations. Data aggregated from physical lanes enters an asynchronous FIFO which interfaces to the NVCSI block. Both MIPI D-PHY v2.1 and C-PHY v2.0 modes are supported. In D-PHY mode, each data channel has peak bandwidth of up to 2.5 Gbps per lane. For C-PHY, each lane (Trio) supports up to 4.5 GSymb/s (10.25 Gbps).

Features of the CSI interface are as follows:

- ▶ MIPI CSI-2 3.0 receiver
- ▶ Supports up to six CSI-2 input ports operating concurrently - for up to six deserializers (six cameras) or more cameras through deserializers-aggregators (hubs):
  - Up to six x1 lane deserializer output port
  - Up to six x2 lane deserializer output port
  - Up to four x4 lane deserializer output port
- ▶ Supports 16 virtual channels (VC) per CSI link
- ▶ Supported input data formats:
  - RGB
    - > RGB888
    - > RGB666
    - > RGB565
    - > RGB555
    - > RGB444
  - YUV
    - > YUV422-8b
    - > YUV420-8b (legacy)
    - > YUV420-8b
    - > YUV420-10b
    - > YUV422-10b
  - RAW
    - > RAW6
    - > RAW7
    - > RAW8

- > RAW10
- > RAW12
- > RAW14
- > RAW16
- > RAW20
- DPCM: user defined
- DPCM (predictor 1)
  - > 14-10-14
  - > 14-8-14
  - > 12-10-12
  - > 12-8-12
  - > 12-7-12
  - > 12-6-12
  - > 10-8-10
  - > 10-7-10
  - > 10-6-10
- Embedded control information
- ▶ MIPI D-PHY v2.1 Modes of Operation
  - High Speed Mode: High speed differential signaling up to 2.5 Gbps. Burst transmission for low power.
  - Low Power Control: Single-ended 1.2V CMOS level. Low speed signaling for handshaking.
  - Low Power Escape: Low speed (10 Mbps) signaling for data. Used for escape command entry only.
- ▶ MIPI C-PHY v2.0 Modes of Operation
  - Shares same D-PHY low power receiver functionality.
  - High Speed Mode: Requires one or more sets of three wires (referred to as a trio) for high-speed data communication.

The following tables show CSI configurations for the NVIDIA Jetson AGX Orin SOM. Refer to the *Jetson AGX Orin Design Guide* for additional x3 and x1 combinations.

## 5.16.1 D-PHY Configurations

The following table contains the CSI configurations in D-PHY mode.

Table 5-2. CSI Configurations D-PHY Mode

		D-PHY															
CSI Input	Module Connector Name	x1				x2				x4							
		A	CSI0_CLK_N	Clock					Clock						Clock		
	CSI0_CLK_P																
	CSI0_D0_N	Data					Data						Data				
	CSI0_D0_P																
	CSI0_D1_N																
	CSI0_D1_P																
B	CSI1_CLK_N		Clock					Clock									
	CSI1_CLK_P																
	CSI1_D0_N		Data					Data					Data				
	CSI1_D0_P																
	CSI1_D1_N																
	CSI1_D1_P																
C	CSI2_CLK_N			Clock					Clock					Clock			
	CSI2_CLK_P																
	CSI2_D0_N			Data					Data					Data			
	CSI2_D0_P																
	CSI2_D1_N																
	CSI2_D1_P																
D	CSI3_CLK_N				Clock					Clock							
	CSI3_CLK_P																
	CSI3_D0_N				Data					Data				Data			
	CSI3_D0_P																
	CSI3_D1_N																
	CSI3_D1_P																
E	CSI4_CLK_N					Clock*					Clock*				Clock		
	CSI4_CLK_P																
	CSI4_D0_N					Data*					Data*				Data		
	CSI4_D0_P																
	CSI4_D1_N																
	CSI4_D1_P																
F	CSI5_CLK_N					Clock*					Clock*						
	CSI5_CLK_P																

D-PHY															
CSI Input	Module Connector Name	x1				x2				x4					
			CSI5_D0_N					Data*					Data*		
CSI5_D0_P														Data	
CSI5_D1_N															
CSI5_D1_P															
G	CSI6_CLK_N														
	CSI6_CLK_P														
	CSI6_D0_N														
	CSI6_D0_P					Data*									Data
	CSI6_D1_N														
	CSI6_D1_P														
H	CSI7_CLK_N														
	CSI7_CLK_P														
	CSI7_D0_N														
	CSI7_D0_P					Data*									Data
	CSI7_D1_N														
	CSI7_D1_P														

**Note:** For the E/F and G/H inputs, only one x1 or x2 interface can be used (either E or F, and either G or H).

## 5.16.2 Supported C-PHY Configurations

The following table contains the supported CSI configurations in C-PHY mode.


Table 5-3. CSI Configurations C-PHY Mode

C-PHY																
CSI Input	Module Connector Name	Trio	Mapping Option 1	Mapping Option 2	x1				x2				x4			
					A	CSI0_D0_P	A0	A	A							
CSI0_D0_N	B	B														
CSI0_CLK_P	C	C														
CSI0_CLK_N	A1	C	A													
CSI0_D1_P		A	B													

C-PHY																
CSI Input	Module Connector Name	Trio	Mapping Option 1	Mapping Option 2	x1				x2				x4			
	CSI0_D1_N		B	C												
B	CSI1_D0_P	B0	A	A												
	CSI1_D0_N		B	B												
	CSI1_CLK_P		C	C												
	CSI1_CLK_N	B1	C	A												
	CSI1_D1_P		A	B												
	CSI1_D1_N		B	C												
C	CSI2_D0_P	C0	A	A												
	CSI2_D0_N		B	B												
	CSI2_CLK_P		C	C												
	CSI2_CLK_N	C1	C	A												
	CSI2_D1_P		A	B												
	CSI2_D1_N		B	C												
D	CSI3_D0_P	D0	A	A												
	CSI3_D0_N		B	B												
	CSI3_CLK_P		C	C												
	CSI3_CLK_N	D1	C	A												
	CSI3_D1_P		A	B												
	CSI3_D1_N		B	C												
E	CSI4_D0_P	E0	A	A												
	CSI4_D0_N		B	B												
	CSI4_CLK_P		C	C												
	CSI4_CLK_N	E1	C	A												
	CSI4_D1_P		A	B												
	CSI4_D1_N		B	C												
F	CSI5_D0_P	F0	A	A												
	CSI5_D0_N		B	B												
	CSI5_CLK_P		C	C												
	CSI5_CLK_N	F1	C	A												
	CSI5_D1_P		A	B												
	CSI5_D1_N		B	C												
G	CSI6_D0_P	G0	A	A												
	CSI6_D0_N		B	B												
	CSI6_CLK_P		C	C												
	CSI6_CLK_N	G1	C	A												
	CSI6_D1_P		A	B												
	CSI6_D1_N		B	C												



C-PHY																			
CSI Input	Module Connector Name	Trio	Mapping Option 1	Mapping Option 2	x1					x2					x4				
H	CSI7_D0_P	H0	A	A						See note						See note			
	CSI7_D0_N		B	B															
	CSI7_CLK_P		C	C															
	CSI7_CLK_N	H1	C	A															
	CSI7_D1_P		A	B															
	CSI7_D1_N		B	C															

 **Note:** For the E/F and G/H inputs, only one x1 or x2 interface can be used (either E or F, and either G or H).

---

# Chapter 6. Pin Definitions

The functions for each pin on the module are fixed to a single Special-Function I/O (SFIO) or software-controlled General Purpose I/O (GPIO). The NVIDIA Jetson AGX Orin SOM has multiple dedicated GPIOs. Each GPIO is individually configurable as Output/Input/Interrupt sources with level and edge controls. SFIO and GPIO functionality is configured using Multi-purpose I/O (MPIO) pads. Each MPIO pad consists of:

- ▶ An output driver with tristate capability, drive strength controls and push-pull mode, open-drain mode, or both.
- ▶ An input receiver with either Schmitt mode, CMOS mode, or both.
- ▶ A weak pull-up and a weak pull-down.

MPIO pads are partitioned into multiple “pad control groups” with controls being configured for the group. During normal operation, these per-pad controls are driven by the pinmux controller registers.

Refer to the *NVIDIA Jetson AGX Orin Design Guide* for more information on pad behavior associated with different interfaces and the *Orin SoC Technical Reference Manual* for more information on modifying MPIO pad controls.

## 6.1 Power-On Reset Behavior

Each MPIO pad has a deterministic power-on reset (PoR) state. The reset state for each pad is chosen to minimize the need of additional on-board components; for example, on-chip weak pull-ups are enabled during PoR for pads which are usually used to drive active-low chip selects eliminating the need for additional pull-up resistors.

The following list is a simplified description of the NVIDIA Jetson AGX Orin SOM boot process focusing on those aspects which relate to the MPIO pins:

- ▶ System-level hardware executes the power-up sequence. This sequence ends when system-level hardware releases **SYS\_RESET\_N**.
- ▶ The boot ROM begins executing and programs the on-chip I/O controllers to access the secondary boot device.
- ▶ The boot ROM fetches the Boot Configuration Table (BCT) and boot loader from the secondary boot device.

- ▶ If the BCT and boot loader are fetched successfully, the boot ROM transfers control to the boot loader.
- ▶ Otherwise, the boot ROM enters USB recovery mode.

## 6.2 SOM B2B Connector Pinout

Simplified version of the NVIDIA Jetson AGX Orin SOM 699-pin B2B connector pinout is attached to this data sheet. For more details refer to the full pin description spreadsheet attached to the *Jetson AGX Orin Design Guide* (DG-10653-001).

To access the attached files, click the **Attachment** icon on the left-hand toolbar on this PDF (using Adobe Acrobat Reader or Adobe Acrobat). Select the file and use the Tool Bar options (**Open, Save**) to retrieve the documents. Excel files with the .nvlsx extension will need to be renamed to .xlsx to open.

---

# Chapter 7. Electrical and Mechanical Characteristics

## 7.1 Electrical Specifications

This section details the electrical specifications for the Jetson AGX Orin SOM.

### 7.1.1 Absolute Maximum Ratings

The absolute maximum ratings describe stress conditions. These parameters do not set minimum and maximum operating conditions that will be tolerated over extended periods of time. If the device is exposed to these parameters for extended periods of time, no guarantee is made, and device reliability may be affected. It is not recommended to operate a Jetson AGX Orin SOM under these conditions. Recommended operating conditions are provided in the following section.

Table 7-1. Maximum Ratings

Symbol	Parameter	Min	Max	Unit	Notes
VIN	SYS_VIN_HV	-0.5	22.5	V	
	SYS_VIN_MV	-0.5	6.0	V	
IDDMAX	VIN I <sub>max</sub> (SYS_VIN_HV)		5.4	A	Software limited. IDDMAX (HV/MV current) reflects EDPp based on a 6 uS moving window. 5.4A is for VIN (20V) on SYS_VIN_HV. 6.0A is for VIN (5V) on SYS_VIN_MV. Actual IDDMAX is dependent on VIN (VINMIN)
	VIN I <sub>max</sub> (SYS_VIN_MV)		6.0	A	
	PMIC_BBATT	-0.3	50	uA	Real-Time-Clock back-up supply
VM_PIN	Voltage applied to any powered I/O pin	-0.5	VDD + 0.5	V	Pad's output driver must be set to open drain mode
	DD pads configured as open drain	-0.5	3.63	V	

Symbol	Parameter	Min	Max	Unit	Notes
T <sub>ttp</sub>	Operating Temperature: measured on Thermal Transfer Plate	-25	80	°C	
T <sub>stg</sub>	Storage Temperature	-25	80	°C	

## 7.1.2 Recommended Operating Conditions

The parameters listed in following table are specific to a temperature range and operating voltage. Operating a NVIDIA Jetson AGX Orin SOM beyond these parameters is not recommended. Exceeding these conditions for extended periods may adversely affect device reliability.

Table 7-2. Recommended Operating Conditions

Symbol	Parameter	Min	Typical	Max	Unit	Notes
VDDdc	SYS_VIN_HV	7	12	20	V	
	SYS_VIN_MV	4.75	5	5.25	V	
	PMIC_BBATT	1.85	3.3	5.5	V	Input Only

## 7.1.3 Storage and Handling

The following table describes handling and storage environment.

Table 7-3. Typical Handling and Storage Environment

Parameter	Description
Storage temperature (ambient) <sup>1</sup>	18°C to 30°C
Storage humidity	30% to 70% RH
Storage life <sup>2</sup>	5 years from NVIDIA shipment date to customers

**Note:**

<sup>1</sup>Transportation is a limited range of time that is covered by AEC grade 3 specifications (-40°C to 85°C). Longer term storage at hubs, distribution points, and warehousing where climate controls are in place should follow conditions mentioned in this table.

<sup>2</sup>Duration based on product being packed and stored in a controlled environment without power on.

## 7.1.4 Digital Logic

Voltages less than the minimum stated value can be interpreted as an undefined state or logic level low which may result in unreliable operation. Voltages exceeding the maximum value can damage or adversely affect device reliability.

Table 7-4. CMOS Pin Type DC Characteristics

Symbol	Description	Min	Max	Unit
VOL	Output Low Voltage (IOL = 1mA)	---	0.15 x VDD	V
VOH	Output High Voltage (IOH = -1mA)	0.75 x VDD	---	V
VIL	Input Low Voltage	-0.5	0.25 x VDD	V
VIH	Input High Voltage	0.70 x VDD	0.5 + VDD	V

Table 7-5. Open Drain Pin Type DC Characteristics

Symbol	Description	Min	Max	Unit
VIL	Input Low Voltage	-0.5	0.25 x VDD	V
VIH	Input High Voltage	0.75 x VDD	3.63	V
VOL	Output Low Voltage (IOL = 1mA)	---	0.15 x VDD	V
	I2C Output Low Voltage (IOL = 3.3mA)	---	0.3 x VDD	V
VOH	Output High Voltage (IOH = -1mA)	0.85 x VDD	---	V

## 7.2 Environmental and Mechanical Screening

Module performance was assessed against a series of industry standard tests designed to evaluate robustness and estimate the failure rate of an electronic assembly in the environment in which it will be used. Mean time between failures (MTBF) calculations are produced in the design phase to predict a product's future reliability in the field.

Table 7-6. JAX Orin 64GB and 32GB Environmental Testing

Stress Test	Test Conditions	Reference Standard
Thermal Cycling (Non-Op)	-40°C to 105°C, 43min/cycle, 500 cycles, Non-Op	JESD22-A104
Random Vibration (Non-Op)	10 to 500 Hz, 2 Grms, 30 min/axis, 3-axis, FCT/EC/DPA, Non-Op	IEC-60068-2-64
Mechanical Shock (Non-Op)	50G, 6 ms, Half Sine, six orientation, six shocks/orientation, 60 shocks in total, Non-Op	ISO 16750-3, para 4.2.2.2
Temp/Humidity Biased (Biased)	Biased, 85°C, 85% RH, 168 hours	ISO 16750-4 para 5.7, IEC 60068-2-78
Storage Low Temp (Non-Op)	Non-Op, -40°C, 24 hours	IEC60068-2-1
Storage High Temp (Non-Op)	Non-Op, 85°C, 24 hours	IEC60068-2-2

Stress Test	Test Conditions	Reference Standard
Low Temp Test (Operational)	Operational, -20°C, 24 hours	IEC60068-2-1
High Temp High Humidity Test (Operational)	Operational, 45°C, 90% RH, 24 hours, 168 hours, FCT	IEC60068-2-2
Temp Cycling (Non-Operational)	-20°C to 70°C, 100 cycles, 1.5 hour/cycle, 15 min dwell, FCT	IEC60068-2-14
Mechanical Shock (Operational)	Non-Op, 50G, Half Sine, 6 ms, 3 shocks/axis, Z, X, Y, total 18	IEC600068 2-27
Hard Boot at Low Temp (Operational)	500 cycles, -20°C, ON for 90 sec, OFF for 20 sec.	NVIDIA Standard
Hard Boot at High Temp (Operational)	500 cycles, 45°C, ON for 90 sec, OFF for 20 sec.	NVIDIA Standard
Hard Boot at Room Temp (Operational)	1,000 cycles, room temp (25°C), ON for 90 sec, OFF for 20 sec.	NVIDIA Standard
Random Vibration (Operational)	10 to 500 Hz, 2 Grms, 30 min/axis, Z, X, Y, FCT, Visual	IEC60068-2-64, NVIDIA
Jetson AGX Orin 64GB MTBF / Failure Rate: 1,978,326 hours / 505 FIT	Controlled Environment (GB) T = 35°C, UCL = 90%	Telcordia (TelC4) SR-332, ISSUE4, Calculation Methodology: Parts Count (Method 1), UCL = 90%, Quality level: II
Jetson AGX Orin 64GB MTBF / Failure Rate: 879,458 hours / 1137 FIT	Controlled Environment (GB) T = 50°C, UCL = 90%	Telcordia (TelC4) SR-332, ISSUE4, Calculation Methodology: Parts Count (Method 1), UCL = 90%, Quality level: II
Jetson AGX Orin 64GB MTBF / Failure Rate: 1,381,422 hours / 723 FIT	Uncontrolled Environment (GF) T = 35°C, UCL = 90%	Telcordia (TelC4) SR-332, ISSUE4, Calculation Methodology: Parts Count (Method 1), UCL = 90%, Quality level: II
Jetson AGX Orin 64GB MTBF / Failure Rate: 595,259 hours / 1679 FIT	Uncontrolled Environment (GF) T = 50°C, UCL = 90%	Telcordia (TelC4) SR-332, ISSUE4, Calculation Methodology: Parts Count (Method 1), UCL = 90%, Quality level: II
Jetson AGX Orin 32GB MTBF / Failure Rate: 1,214,509 hours / 823 FIT	Controlled Environment (GB) T = 35°C, UCL = 90%	Telcordia (TelC4) SR-332, ISSUE4, Calculation Methodology: Parts Count (Method 1), UCL = 90%, Quality level: II
Jetson AGX Orin 32GB MTBF / Failure Rate: 723,159 hours / 1382 FIT	Controlled Environment (GB) T = 50°C, UCL = 90%	Telcordia (TelC4) SR-332, ISSUE4, Calculation Methodology: Parts Count (Method 1), UCL = 90%, Quality level: II
Jetson AGX Orin 32GB	Uncontrolled Environment (GF) T = 35°C, UCL = 90%	Telcordia (TelC4) SR-332, ISSUE4, Calculation Methodology: Parts Count

Stress Test	Test Conditions	Reference Standard
MTBF / Failure Rate: 979,582 hours / 1020 FIT		(Method 1), UCL = 90%, Quality level: II
Jetson AGX Orin 32GB MTBF / Failure Rate: 526,232 hours / 1900 FIT	Uncontrolled Environment (GF) T = 50°C, UCL = 90%	Telcordia (TelC4) SR-332, ISSUE4, Calculation Methodology: Parts Count (Method 1), UCL = 90%, Quality level: II



**Note:** The total failure rate number of Jetson AGX Orin 64GB is lower than Jetson AGX Orin 32GB, because they use different memories with different FITs for the failure rate calculations.

## 7.3 Mechanical Specifications

This section details the mechanical specifications for the Jetson AGX Orin SOM.

### 7.3.1 SOM Mechanical Drawing and Dimensions

The following are the module dimensions and weight for the module.

- ▶ Dimensions: 87.0 mm (width) × 100.0 mm (length) × 16.0 mm (height).
- ▶ Weight: 0.306 kg ± 2%

Figure 7-1 shows the module outline.

Figure 7-1. Module Outline Drawing 3D View

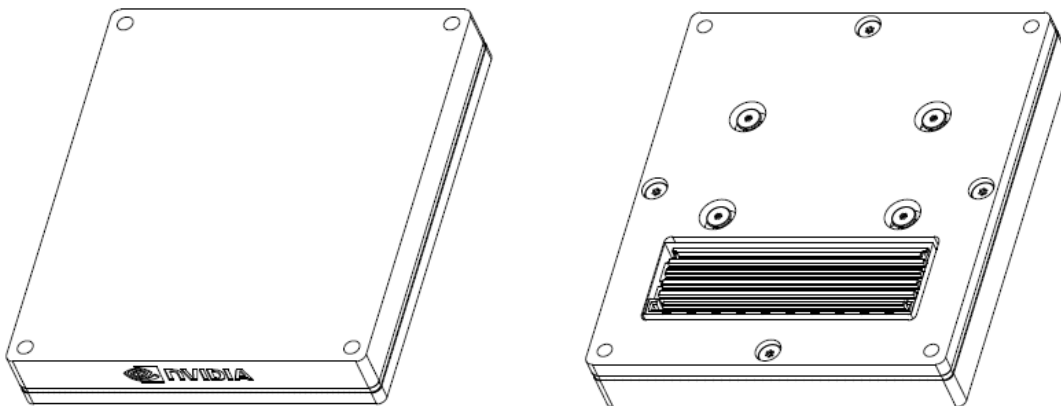




Figure 7-2. Module Mechanical Drawing Top View

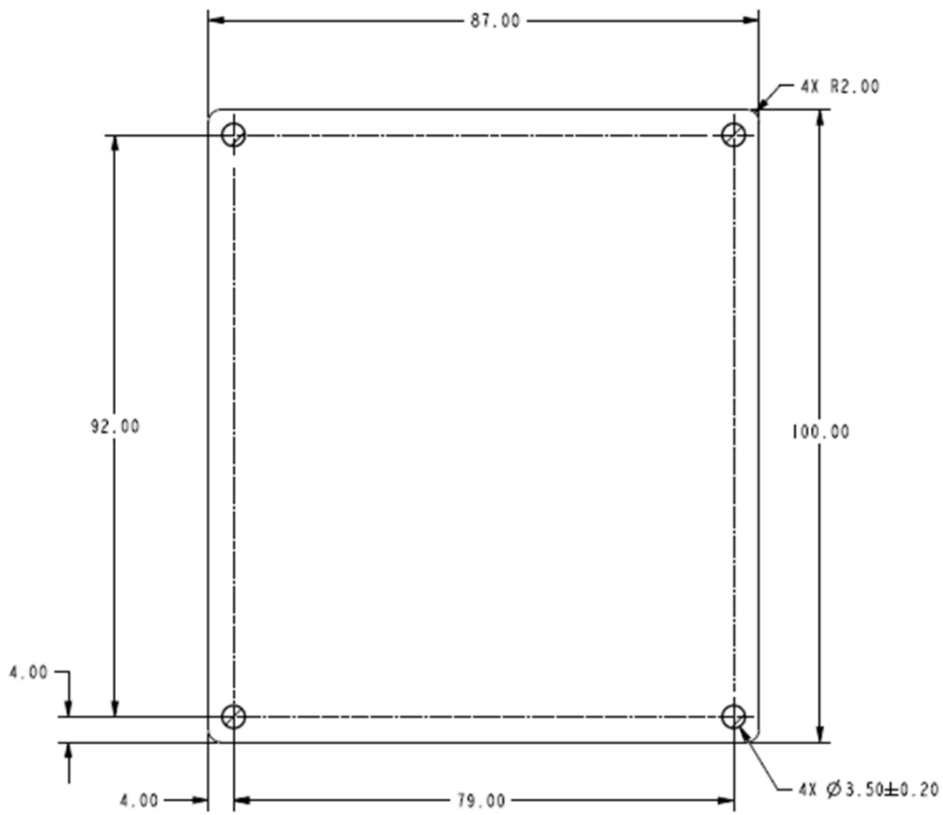
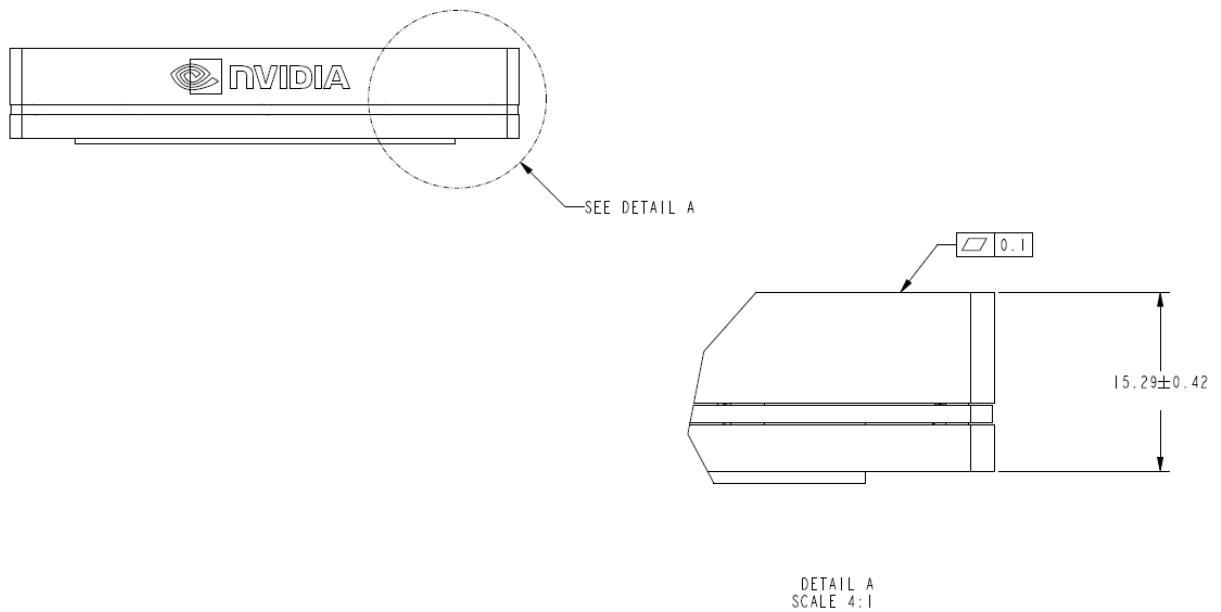


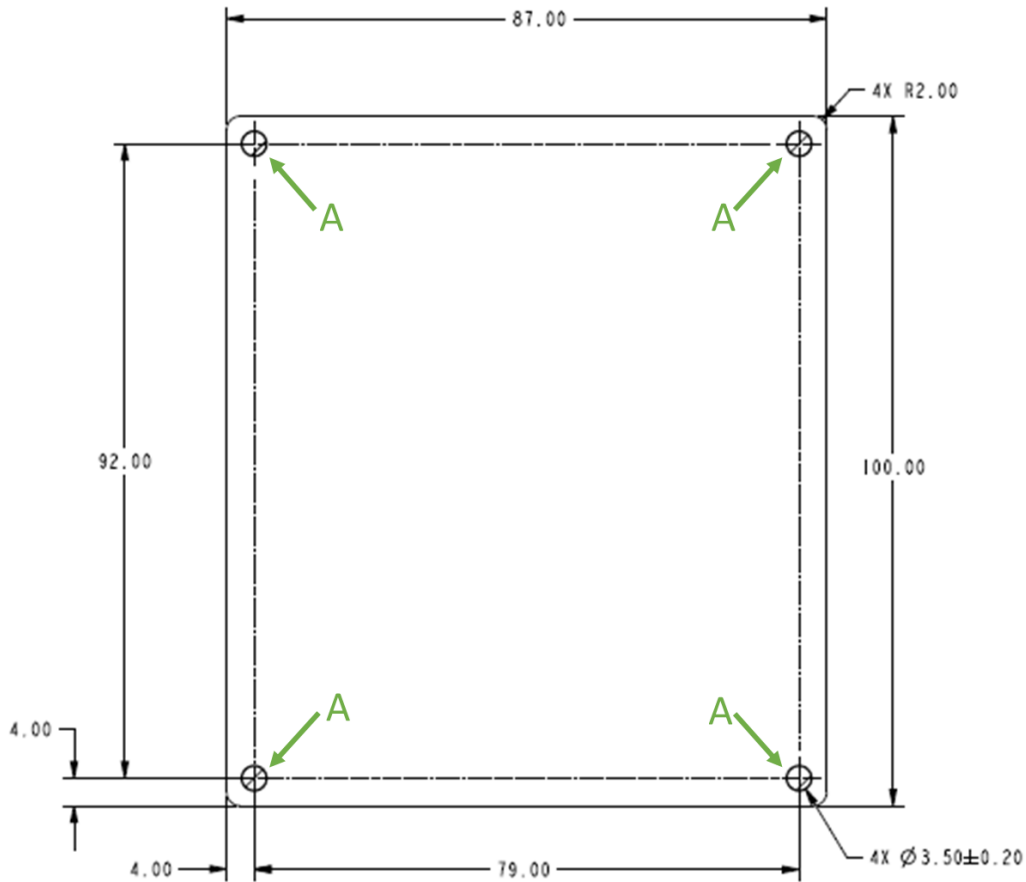
Figure 7-3. Module Mechanical Drawing Side View



## 7.3.2 Module Mounting Hole

The holes labeled "A" in the following figure are used for mounting purpose to mate the NVIDIA Jetson AGX Orin SOM, the system motherboard, and thermal solution.

Figure 7-4. Orin Module Mounting Hole



## Notice

This document is provided for information purposes only and shall not be regarded as a warranty of a certain functionality, condition, or quality of a product. NVIDIA Corporation ("NVIDIA") makes no representations or warranties, expressed or implied, as to the accuracy or completeness of the information contained in this document and assumes no responsibility for any errors contained herein. NVIDIA shall have no liability for the consequences or use of such information or for any infringement of patents or other rights of third parties that may result from its use. This document is not a commitment to develop, release, or deliver any Material (defined below), code, or functionality.

NVIDIA reserves the right to make corrections, modifications, enhancements, improvements, and any other changes to this document, at any time without notice.

Customer should obtain the latest relevant information before placing orders and should verify that such information is current and complete.

NVIDIA products are sold subject to the NVIDIA standard terms and conditions of sale supplied at the time of order acknowledgement, unless otherwise agreed in an individual sales agreement signed by authorized representatives of NVIDIA and customer ("Terms of Sale"). NVIDIA hereby expressly objects to applying any customer general terms and conditions with regards to the purchase of the NVIDIA product referenced in this document. No contractual obligations are formed either directly or indirectly by this document.

**Unless** specifically agreed to in writing by NVIDIA, NVIDIA products are not designed, authorized, or warranted to be suitable for use in medical, military, aircraft, space, or life support equipment, nor in applications where failure or malfunction of the NVIDIA product can reasonably be expected to result in personal injury, death, or property or environmental damage. NVIDIA accepts no liability for inclusion and/or use of NVIDIA products in such equipment or applications and therefore such inclusion and/or use is at customer's own risk.

NVIDIA makes no representation or warranty that products based on this document will be suitable for any specified use. Testing of all parameters of each product is not necessarily performed by NVIDIA. It is customer's sole responsibility to evaluate and determine the applicability of any information contained in this document, ensure the product is suitable and fit for the application planned by customer, and perform the necessary testing for the application in order to avoid a default of the application or the product. Weaknesses in customer's product designs may affect the quality and reliability of the NVIDIA product and may result in additional or different conditions and/or requirements beyond those contained in this document. NVIDIA accepts no liability related to any default, damage, costs, or problem which may be based on or attributable to: (i) the use of the NVIDIA product in any manner that is contrary to this document or (ii) customer product designs.

No license, either expressed or implied, is granted under any NVIDIA patent right, copyright, or other NVIDIA intellectual property right under this document. Information published by NVIDIA regarding third-party products or services does not constitute a license from NVIDIA to use such products or services or a warranty or endorsement thereof. Use of such information may require a license from a third party under the patents or other intellectual property rights of the third party, or a license from NVIDIA under the patents or other intellectual property rights of NVIDIA.

Reproduction of information in this document is permissible only if approved in advance by NVIDIA in writing, reproduced without alteration and in full compliance with all applicable export laws and regulations, and accompanied by all associated conditions, limitations, and notices.

THIS DOCUMENT AND ALL NVIDIA DESIGN SPECIFICATIONS, REFERENCE BOARDS, FILES, DRAWINGS, DIAGNOSTICS, LISTS, AND OTHER DOCUMENTS (TOGETHER AND SEPARATELY, "MATERIALS") ARE BEING PROVIDED "AS IS." NVIDIA MAKES NO WARRANTIES, EXPRESSED, IMPLIED, STATUTORY, OR OTHERWISE WITH RESPECT TO THE MATERIALS, AND EXPRESSLY DISCLAIMS ALL IMPLIED WARRANTIES OF NONINFRINGEMENT, MERCHANTABILITY, AND FITNESS FOR A PARTICULAR PURPOSE. TO THE EXTENT NOT PROHIBITED BY LAW, IN NO EVENT WILL NVIDIA BE LIABLE FOR ANY DAMAGES, INCLUDING WITHOUT LIMITATION ANY DIRECT, INDIRECT, SPECIAL, INCIDENTAL, PUNITIVE, OR CONSEQUENTIAL DAMAGES, HOWEVER CAUSED AND REGARDLESS OF THE THEORY OF LIABILITY, ARISING OUT OF ANY USE OF THIS DOCUMENT, EVEN IF NVIDIA HAS BEEN ADVISED OF THE POSSIBILITY OF SUCH DAMAGES. Notwithstanding any damages that customer might incur for any reason whatsoever, NVIDIA's aggregate and cumulative liability towards customer for the products described herein shall be limited in accordance with the Terms of Sale for the product.

## Trademarks

NVIDIA, the NVIDIA logo, CUDA, Jetson, NVIDIA AGX, NVIDIA Orin, NVIDIA Turing, and TensorRT are trademarks and/or registered trademarks of NVIDIA Corporation in the U.S. and other countries. Other company and product names may be trademarks of the respective companies with which they are associated.

## VESA DisplayPort

DisplayPort and DisplayPort Compliance Logo, DisplayPort Compliance Logo for Dual-mode Sources, and DisplayPort Compliance Logo for Active Cables are trademarks owned by the Video Electronics Standards Association in the United States and other countries.

## HDMI

HDMI, the HDMI logo, and High-Definition Multimedia Interface are trademarks or registered trademarks of HDMI Licensing LLC.

## Arm

Arm, AMBA and Arm Powered are registered trademarks of Arm Limited. Cortex, MPCore and Mali are trademarks of Arm Limited. All other brands or product names are the property of their respective holders. "Arm" is used to represent Arm Holdings plc; its operating company Arm Limited; and the regional subsidiaries Arm Inc.; Arm KK; Arm Korea Limited.; Arm Taiwan Limited; Arm France SAS; Arm Consulting (Shanghai) Co. Ltd.; Arm Germany GmbH; Arm Embedded Technologies Pvt. Ltd.; Arm Norway, AS and Arm Sweden AB.

## Copyright

© 2022 NVIDIA Corporation. All rights reserved.

