

# R10IB3S-VMT2(HB)

## 10.4" Intel® Celeron® N2930 G-WIN Vehicle Mount Panel PC



### KEY FEATURES

- Intel® Celeron® Bay Trail N2930 1.83 GHz Processor Fanless Design
- High Quality 10.4" Panel, 1024 x 768 resolution
- Front IP65 Dust / Water Proof Enclosures (Except I/O parts)
- Aluminum Housing with Anti-Corrosion Treatments
- Anti-Shock and Vibration Standard according to MIL-STD-810 & IEC60068-2-27
- WLAN with Antenna (Optional)
- 10 ~ 60V DC Isolation Wide Range Power Input. Optional Ignition on/off control function.
- Compliance with EN50155

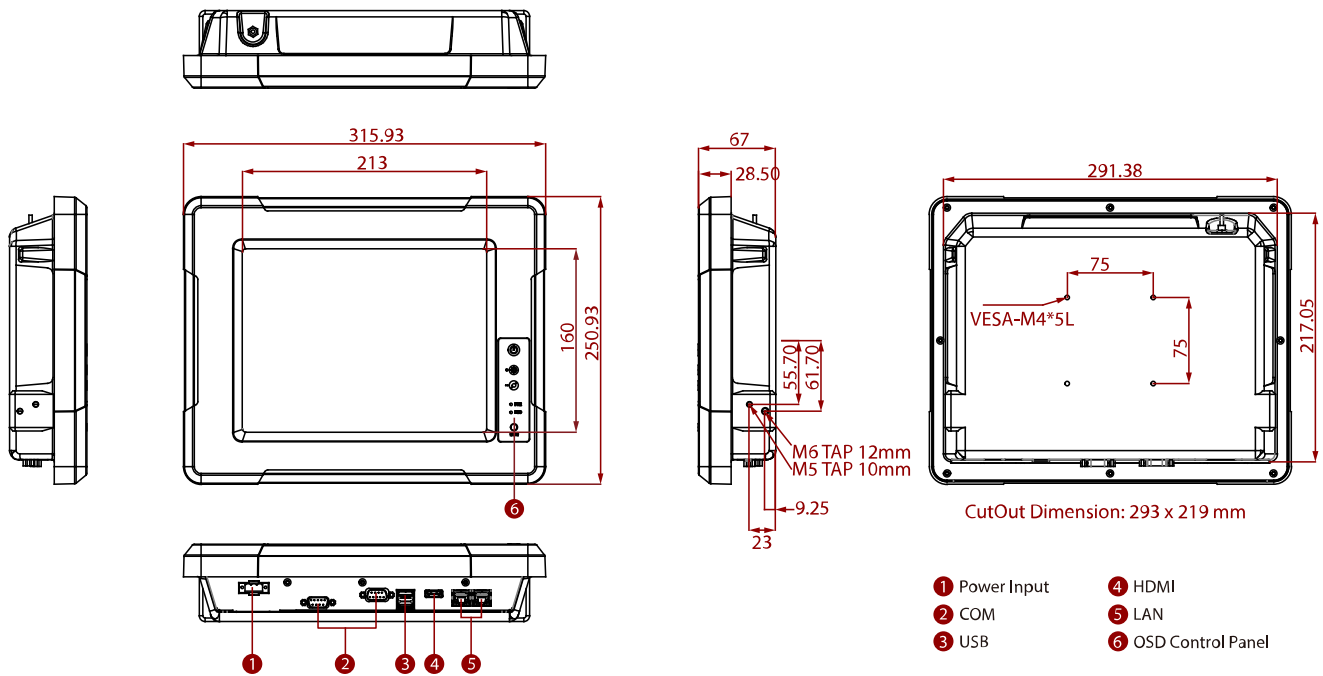


### SPECIFICATIONS

System Specification			
<b>Processor</b>	Intel Celeron N2930 1.83GHz (up to 2.16GHz)	<b>Memory</b>	1 x SO-DIMM, DDR3L 1600 MHz, 4GB 8GB (Optional)
<b>Storage</b>	1 x mSATA SSD 128GB 256GB (Optional) 512GB (Optional)	<b>Ethernet controller</b>	2 x Intel® Ethernet Controller
<b>Operating System</b>	Windows 10 IoT Enterprise (64 bit) (Optional) Linux Ubuntu 20.04 (Optional)	<b>WLAN</b>	Support (Optional)
<b>BT</b>	Support (Optional)		
Display			
<b>Resolution</b>	1024x768	<b>Size</b>	10.4 inches
<b>Contrast Ratio</b>	1000:1	<b>Panel Brightness</b>	350.0 nits
<b>View Angles</b>	88,88,88,88	<b>Active Area</b>	210.4x157.8 mm
<b>Touch / Glass</b>	Resistive Touch Screen (Optional) Protection Glass Without Touch Function (Optional)	<b>Optional function</b>	High brightness Panel for sunlight readable (Optional)
Mechanical			
<b>Dimension</b>	315 x 250 x 67 mm	<b>Weight</b>	2.9 kg
<b>Mounting</b>	VESA Mount Yoke Mount	<b>Enclosure</b>	Aluminum Housing
<b>Cooling System</b>	Fanless design		
Environment			
<b>Operating Humidity</b>	10% to 90% RH, Non-Condensing	<b>Operating Temperature</b>	-10°C to 55°C
<b>Storage Temperature</b>	-30°C to 70°C	<b>Shock</b>	MIL-STD-810G Method 516.6 Procedure I (Optional)
<b>Vibration</b>	MIL-STD-810G Method 514.6 Procedure I	<b>IP rating</b>	Front IP65
Certification			
<b>Certification</b>	CE, FCC		
IO Ports			

<b>Power Input</b>	1 x 10~60V DC, 3-Pin Terminal Block	<b>USB Port</b>	1 x USB3.2 Gen1x1 (Type-A) 1 x USB2.0 (Type-A)
<b>Serial Port</b>	1 x RS232/422/485 (Default RS232) 1 x RS232	<b>Video</b>	1 x HDMI 1.4 (Optional)
<b>Expansion Port</b>	1 x mPCIe slot(for Wi-Fi module)	<b>LAN</b>	2 x Giga LAN RJ45 Connector
<b>Indicator</b>	1 x LED Indicator for power 1 x LED Indicator for storage		
<b>Control</b>			
<b>Button</b>	1 x Power Button 1 x Reset Button 1 x Brightness Up button 1 x Brightness Down button		
<b>Accessory</b>			
<b>Accessory</b>	Open Wire Cable with terminal block connector VESA screws	<b>Optional Accessory</b>	Yoke mount stand (Optional) 100~240V AC to DC Adapter with power cord (Optional)

## DIMENSIONS UNIT:MM



## NOTE

1. This is a simplified drawing and some components are not marked in detail.
2. Windows 10 operating system requires installing a new version of BIOS and OS image.
3. Windows 7 does not support the TPM 2.0 function.
4. Weight of the device varies by configuration.
5. Please contact our sales representative if you need further product information.
6. All specifications are subject to change without prior notice.
7. The product shown in this datasheet is a standard model. For diagrams that contain customized or optional I/O, please contact the Winmate Sales Team for more information.