

R10IK3S-VMT2(HB)

10.4" Intel® Core™ i5 G-WIN Vehicle Mount Panel PC



KEY FEATURES

- 10.4" 1024 x 768 panel
- Intel® Core™ i5-7200U Kaby Lake
- Aluminum housing with anti-corrosion treatments
- Front IP65 (Except I/O parts)
- Anti-Shock & Vibration compliant with MIL-STD-810F/G & IEC60068-2-27

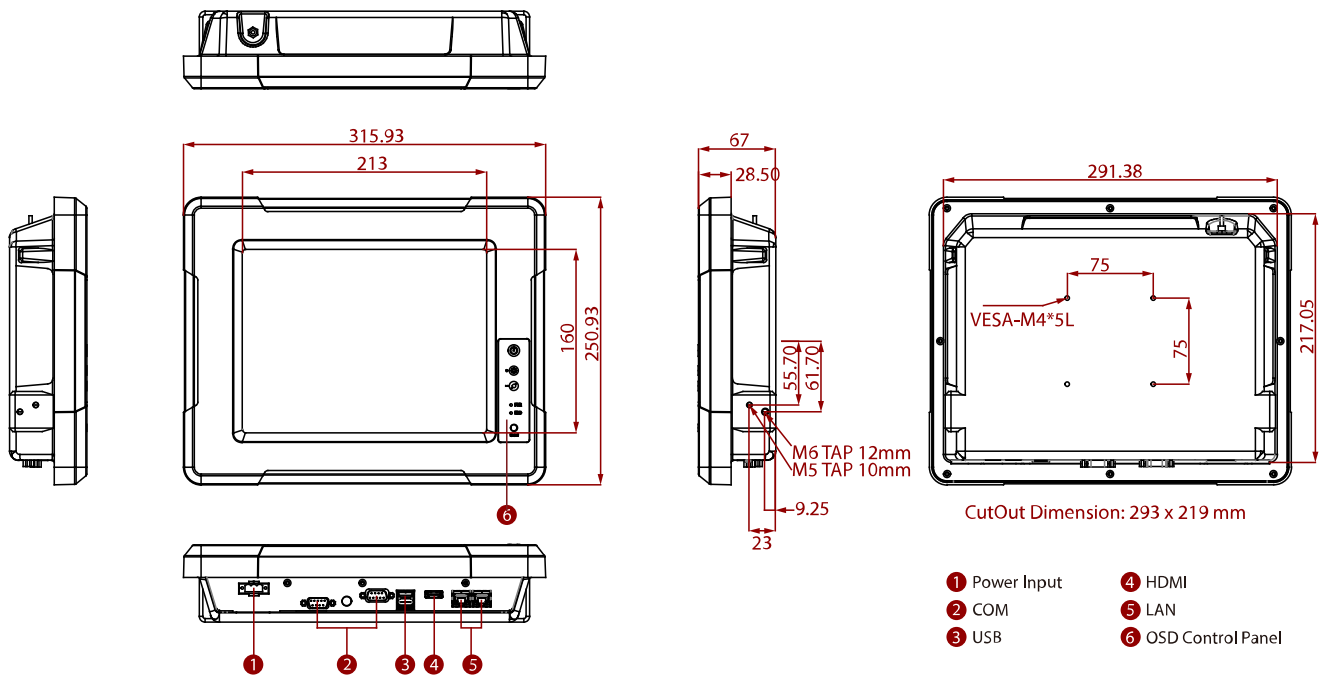


SPECIFICATIONS

System Specification			
Processor	Intel Core i5-7300U 2.6GHz (up to 3.5GHz)	Memory	1 x SO-DIMM, DDR4 2133 MHz, 4GB 8GB (Optional) 16GB (Optional)
Storage	1 x M.2 2242 SSD 128GB 256GB (Optional) 512GB (Optional)	Ethernet controller	2 x Intel® Ethernet Controller
Security	TPM 2.0	Operating System	Windows 10 IoT Enterprise (64 bit) (Optional) Linux Ubuntu 20.04 (Optional)
WLAN	Support (Optional)	BT	Support (Optional)
Display			
Resolution	1024x768	Size	10.4 inches
Contrast Ratio	1000:1	Panel Brightness	350.0 nits
View Angles	88,88,88,88	Active Area	210.4x157.8 mm
Touch / Glass	Resistive Touch Screen (Optional) Protection Glass w/o Touch Function (Optional)	Optional function	High brightness Panel for sunlight readable (Optional)
Mechanical			
Dimension	315 x 250 x 67 mm	Weight	2.9 kg
Mounting	VESA Mount Yoke Mount	Enclosure	Aluminum Housing
Cooling System	Fanless design		
Environment			
Operating Humidity	10% to 90% RH, Non-Condensing	Operating Temperature	-10°C to 55°C
Storage Temperature	-30°C to 70°C	Shock	MIL-STD-810G Method 516.6 Procedure I (Optional)
Vibration	MIL-STD-810G Method 514.6 Procedure I	IP rating	Front IP65
Certification			
Certification	CE, FCC		
IO Ports			
Power Input	1 x 9~36V DC, 3-Pin Terminal Block	USB Port	2 x USB3.2 Gen1x1 (Type-A)
Serial Port	1 x RS232/422/485 (Default RS232) 1 x RS232	Video	1 x HDMI 1.4 (Optional)

Expansion Port	1 x M.2 2242 B-key Slot (for SATA III SSD) 1 x M.2 2230 E-Key Slot (for Wi-Fi module)	LAN	2 x Giga LAN RJ45 Connector
Indicator	1 x LED Indicator for power 1 x LED Indicator for storage		
Control			
Button	1 x Power Button 1 x Reset Button 1 x Brightness Up button 1 x Brightness Down button		
Accessory			
Accessory	Open Wire Cable with terminal block connector VESA screws	Optional Accessory	Yoke mount stand (Optional) 100~240V AC to DC 84W Adapter with power cord (Optional)

DIMENSIONS UNIT:MM



NOTE

1. This is a simplified drawing and some components are not marked in detail.
2. Windows 10 operating system requires installing a new version of BIOS and OS image.
3. Windows 7 does not support the TPM 2.0 function.
4. Weight of the device varies by configuration.
5. Please contact our sales representative if you need further product information.
6. All specifications are subject to change without prior notice.
7. The product shown in this datasheet is a standard model. For diagrams that contain customized or optional I/O, please contact the Winmate Sales Team for more information.