

# R10L100-VMP3

## 10.4" G-WIN VM Series Display



### KEY FEATURES

- High Quality 10.4" panel, 640 x 480 resolution, 450 nits
- 5 Wire resistive touch screen
- -10~50°C Wide Range Operating Temperature
- Anti-Corrosion housing with Fanless Design
- Front IP65 Dust & Waterproof Protection (Except I/O ports)
- 10 ~ 60V DC Isolation Wide Range Power Input. Optional Ignition on/off control function.
- Compliance With EN50155

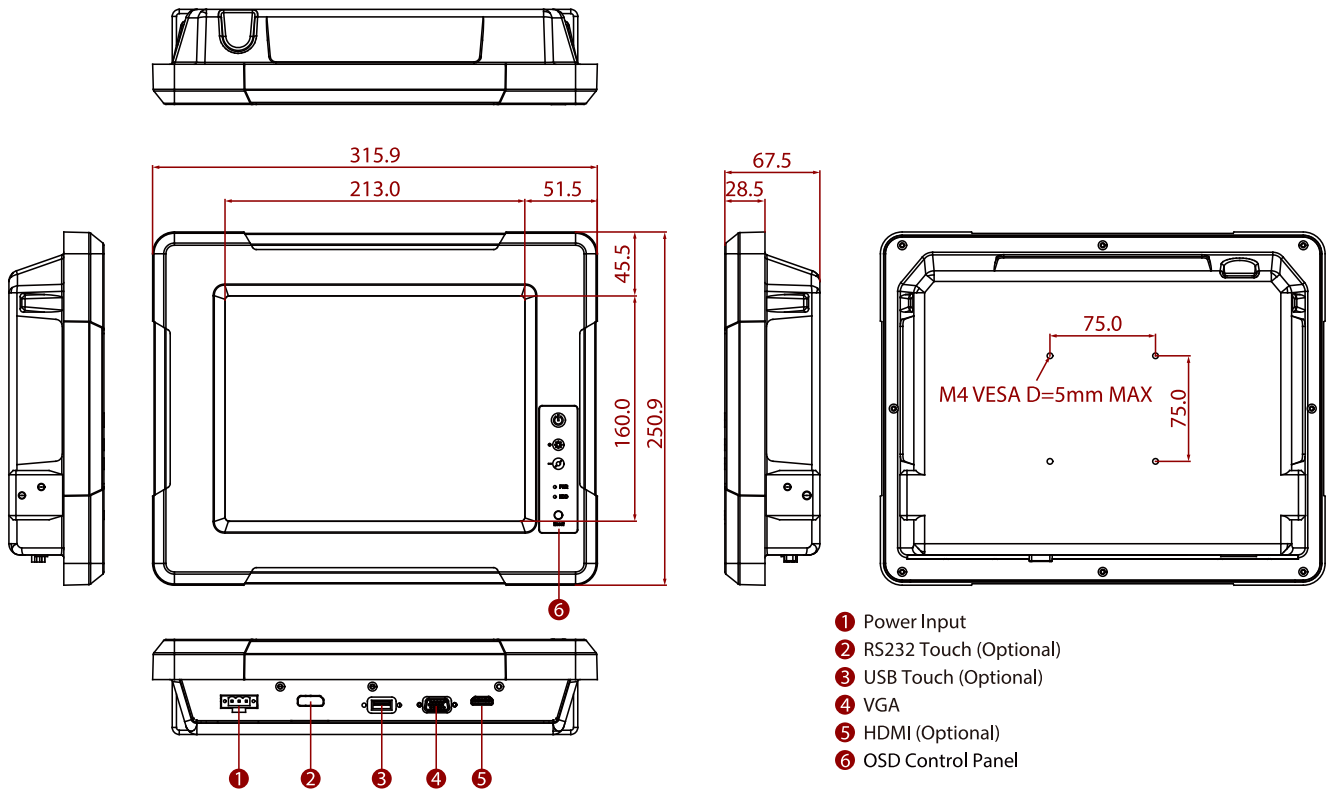


### SPECIFICATIONS

Display	
<b>Resolution</b>	640x480
<b>Contrast Ratio</b>	700:1
<b>Display Color</b>	16.2M Colors
<b>Active Area</b>	211.2x158.4 mm
<b>Size</b>	10.4 inches
<b>Panel Brightness</b>	450 nits
<b>View Angles</b>	80,80,80,60
<b>Touch / Glass</b>	Resistive Touch Screen Protection Glass Without Touch Function (Optional)
Mechanical	
<b>Dimension</b>	315 x 250 x 67 mm
<b>Enclosure</b>	Aluminum Housing
<b>Mounting</b>	VESA Mount Yoke Mount
<b>Cooling System</b>	Fanless design
Environment	
<b>Operating Humidity</b>	10% to 90% (non-condensing)
<b>Storage Temperature</b>	-30~70°C
<b>Vibration</b>	MIL-STD-810G Method 514.6
<b>Operating Temperature</b>	-10~55°C
<b>Shock</b>	MIL-STD-810G Method 516.6 (Optional)
<b>IP rating</b>	Front IP65
Certification	
<b>Certification</b>	CE, FCC
IO Ports	
<b>Power Input</b>	1 x 10~60V DC, 3-Pin Terminal Block
<b>Serial Port</b>	1 x RS232 D-sub9 for touch screen control (Optional)
<b>Indicator</b>	1 x LED Indicator for power 1 x LED Indicator for status
<b>USB Port</b>	1x USB type-A for touch screen control (Optional)
<b>Video</b>	1x VGA input 1x HDMI input (Optional)
Control	
<b>Button</b>	1 x Power Button 1 x Adjust up button 1 x Adjust down button 1 x ESC (Auto) button 1 x Menu button
Accessory	
<b>Accessory</b>	Open Wire Cable with terminal block connector External VGA cable
<b>Optional Accessory</b>	Yoke mount stand (Optional) 100~240V AC to DC Adapter with power cord

## System Specification

## DIMENSIONS UNIT:MM



## NOTE

1. This is a simplified drawing and some components are not marked in detail.
2. The product shown in this datasheet is a standard model. For diagrams that contain customized or optional I/O, please contact the Winmate Sales Team for more information.
3. All specifications are subject to change without prior notice.