

R10L100-VMT2(HB)

10.4" G-WIN VM Series Display



KEY FEATURES

- High Quality 10.4" SVGA Panel, 1024 x 768 resolution
- Front IP65 Dust/water resistant Protection (Except I/O parts)
- Aluminum Housing with Anti-Corrosion Treatments
- Anti-Shock and Vibration
- Standard according to MIL-STD-810G & IEC-60068227
- 5 Wire Resistive Touchscreen
- Anti-Reflection Protection Glass(Optional)
- 10 ~ 60V DC Isolation Wide Range Power Input. Optional Ignition on/off control function.



SPECIFICATIONS

| Display | | | |
|----------------------------|--|------------------------------|--|
| Resolution | 1024x768 | Size | 10.4 inches |
| Contrast Ratio | 1000:1 | Panel Brightness | 350 nits |
| Display Color | 16.2M Colors | View Angles | 88,88,88,88 |
| Active Area | 210.4x157.8 mm | Touch / Glass | Resistive Touch Screen Protection Glass Without Touch Function (Optional) |
| Optional function | High brightness Panel for sunlight readable (Optional) | | |
| Mechanical | | | |
| Dimension | 315 x 250 x 67 mm | Mounting | VESA Mount Yoke Mount |
| Enclosure | Aluminum Housing | Cooling System | Fanless design |
| Environment | | | |
| Operating Humidity | 10% to 90% (non-condensing) | Operating Temperature | -10~55°C |
| Storage Temperature | -30~70°C | Shock | MIL-STD-810G Method 516.6 (Optional) |
| Vibration | MIL-STD-810G Method 514.6 | IP rating | Front IP65 |
| Certification | | | |
| Certification | CE, FCC | | |
| IO Ports | | | |
| Power Input | 1 x 10~60V DC, 3-Pin Terminal Block | USB Port | 1x USB type-A for touch screen control (Optional) |
| Serial Port | 1 x RS232 D-sub9 for touch screen control (Optional) | Video | 1x VGA input 1x HDMI input (Optional) |
| Indicator | 1 x LED Indicator for power 1 x LED Indicator for status | | |
| Control | | | |
| Button | 1 x Power Button 1 x Adjust up button 1 x Adjust down button 1 x ESC (Auto) button 1 x Menu button | | |

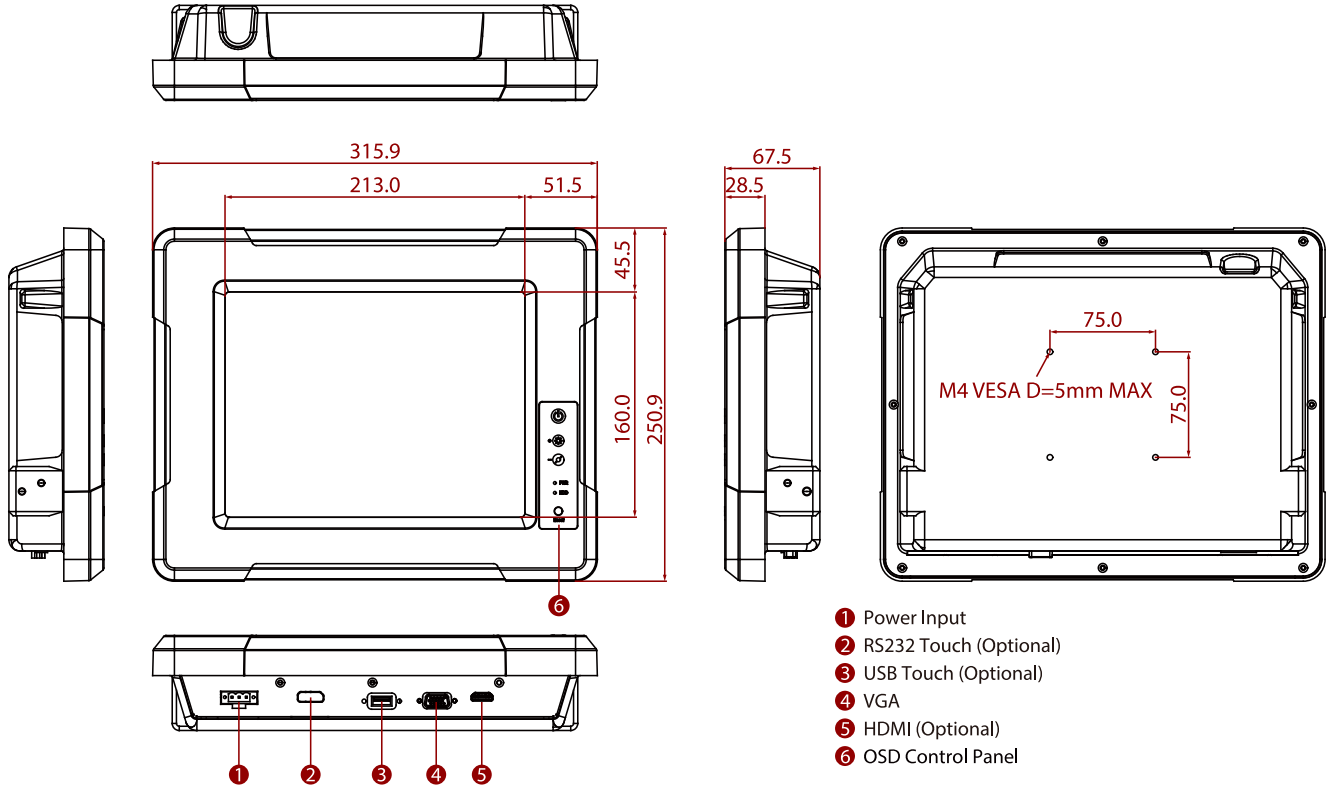
Accessory

Accessory Open Wire Cable with terminal block connector
External VGA cable
Driver CD & Manual
VESA screws

Optional Accessory Yoke mount stand (Optional)
100~240V AC to DC Adapter with power cord (Optional)
External USB/COM cable for touchscreen control (Optional)
External HDMI cable (Optional)

System Specification

DIMENSIONS UNIT:MM



NOTE

1. This is a simplified drawing and some components are not marked in detail.
2. The product shown in this datasheet is a standard model. For diagrams that contain customized or optional I/O, please contact the Winmate Sales Team for more information.
3. All specifications are subject to change without prior notice.