

R10L600-VMP1

10.4" G-WIN VM Series Display



KEY FEATURES

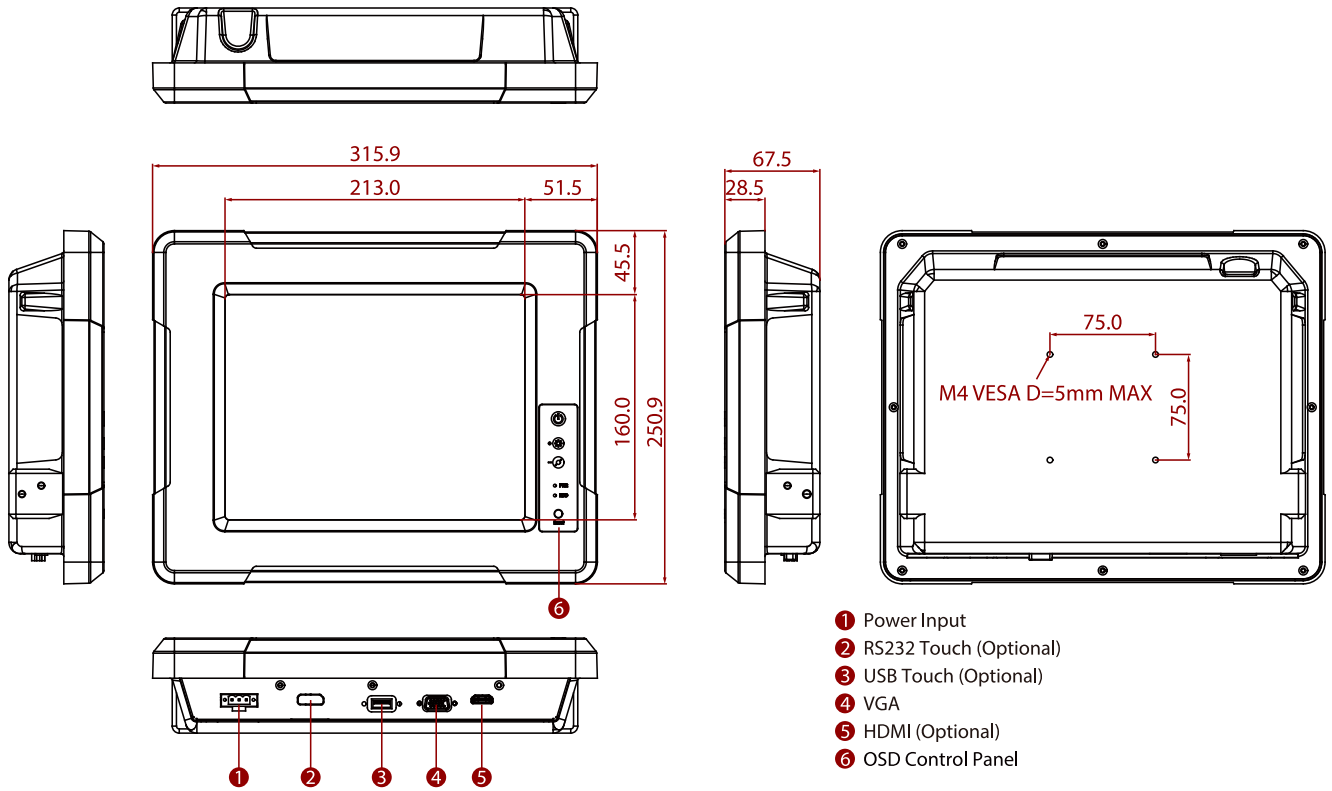
- High Quality 10.4" SVGA Panel, 800x600 resolution
- 5 Wire resistive touch screen
- -10~50°C Wide Range Operating Temperature
- Anti-Corrosion housing with Fanless Design
- Front IP65 Dust & Waterproof Protection (Except I/O ports)
- 10 ~ 60V DC Isolation Wide Range Power Input. Optional Ignition on/off control function.
- Compliance With EN50155



SPECIFICATIONS

Display	
Touch / Glass	Resistive Touch Screen Protection Glass Without Touch Function (Optional)
Mechanical	
Dimension	315 x 250 x 67 mm
Enclosure	Aluminum Housing
Mounting	VESA Mount Yoke Mount
Cooling System	Fanless design
Environment	
Operating Humidity	10% to 90% (non-condensing)
Storage Temperature	-30~70°C
Vibration	MIL-STD-810G Method 514.6
Operating Temperature	-10~55°C
Shock	MIL-STD-810G Method 516.6 (Optional)
IP rating	Front IP65
Certification	
Certification	CE, FCC
IO Ports	
Power Input	1 x 10~60V DC, 3-Pin Terminal Block
Serial Port	1 x RS232 D-sub9 for touch screen control (Optional)
Indicator	1 x LED Indicator for power 1 x LED Indicator for status
USB Port	1x USB type-A for touch screen control (Optional)
Video	1x VGA input 1x HDMI input (Optional)
Control	
Button	1 x Power Button 1 x Adjust up button 1 x Adjust down button 1 x ESC (Auto) button 1 x Menu button
Accessory	
Accessory	Open Wire Cable with terminal block connector External VGA cable Driver CD & Manual VESA screws
Optional Accessory	Yoke mount stand (Optional) 100~240V AC to DC Adapter with power cord (Optional) External USB/COM cable for touchscreen control (Optional) External HDMI cable (Optional)

DIMENSIONS UNIT:MM



NOTE

1. This is a simplified drawing and some components are not marked in detail.
2. The product shown in this datasheet is a standard model. For diagrams that contain customized or optional I/O, please contact the Winmate Sales Team for more information.
3. All specifications are subject to change without prior notice.