

R15L100-MLA3HB

15" G-WIN Defense Display



KEY FEATURES

- 15" 1024 x 768 resolution
- Compliant MIL-STD 810G/ MIL-STD 461E
- Fanless design and efficient heat dissipation
- Supports VESA mount
- AR protection glass
- Defence-grade connectors
- Convenient on-screen display controls
- Power input 12 V DC defence-grade connector (Optional 9-36 V DC wide range)



SPECIFICATIONS

Display			
Resolution	1024x768	Size	15.0 inches
Contrast Ratio	2500:1	Panel Brightness	1000.0 nits
Display Color	16.7M Colors	View Angles	88,88,88,88
Active Area	304.1x228.1 mm	Touch / Glass	AR Protection Glass 5 Wires Resistive Touch (Optional) 5 Wire Resistive with EMI Mesh Filter (Optional) EMI Glass (Optional)
Environment			
Operating Humidity	10% to 95% RH	Operating Temperature	-20°C~60°C
Storage Temperature	-30°C~70°C	Shock	Operating:30g for 18ms
Vibration	Operating: 1.60/1.96/2.18 g rms for XYZ / 5-500Hz		
Compliance			
MIL-STD 461E/F/G	RE101 / RE102 CE101 / CE102 CS118 with EMI Glass / Touch(Optional) RS101 / RS 103 CS101 / CS 106 / CS 109 / CS 114 / CS 115 / CS 116	MIL-STD 810G	Vibration Method 514.6 Humidity Method 507.4 Transit Drop Method516.5
Certification			
Certification	CE, FCC		
IO Ports			
USB Port	1 x USB for Touch Screen(Defence Grade) (Optional)	Serial Port	1 x RS232 for Touch Screen(Defence Grade) (Optional)
Video	1 x VGA(Defence Grade)		
Mechanical			
Dimension	398 x 308 x 58 mm	Mounting	VESA Mount
Enclosure	Metal Housing with Aluminum Bezel	Cooling System	Fanless Design
Accessory			

Accessory	User Manual Touch Driver CD Open Wire Cable AC Adapter Power Cord
------------------	---

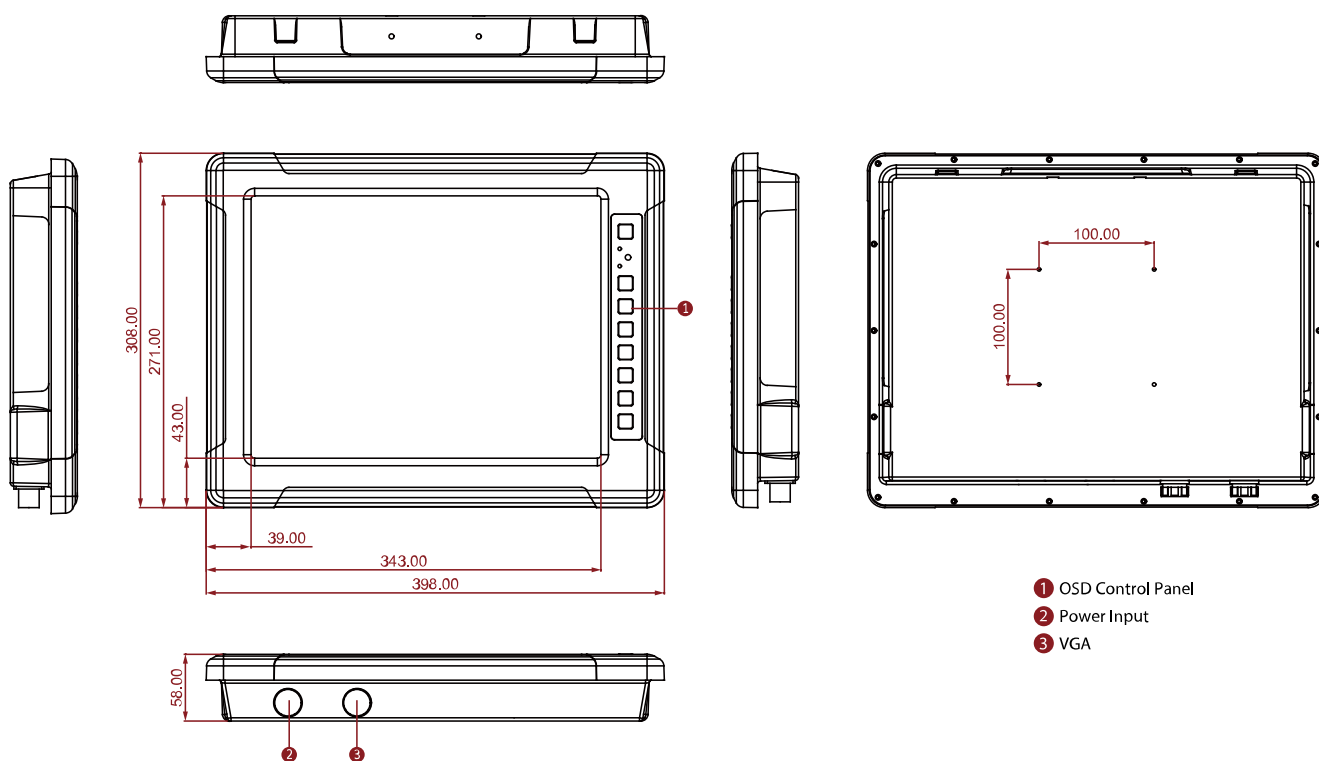
Power

Power Rating	12V DC (MIL-DTL-38999/1 connector) 9V to 36V wide range (Optional)
---------------------	---

Control

Button	8 key: Power Menu Auto Volume Up/ Swap Volume Down/ PIP Brightness Up Brightness Down LED Adjustment
---------------	--

DIMENSIONS UNIT:MM



- ① OSD Control Panel
- ② Power Input
- ③ VGA

NOTE

1. This is a simplified drawing and some components are not marked in detail.
2. If you require an external test report, Winmate will charge an NRE fee.
3. Please contact our sales representative if you need further product information.
4. All specifications are subject to change without prior notice.
5. The product shown in this datasheet is a standard model. For diagrams that contain customized or optional I/O, please contact the Winmate Sales Team for more information.