

R15L100-OFA3

15" Open Frame Display



KEY FEATURES

- 15", 1024 x 768 Open Frame Display
- VGA and HDMI input
- Open frame
- VESA mount



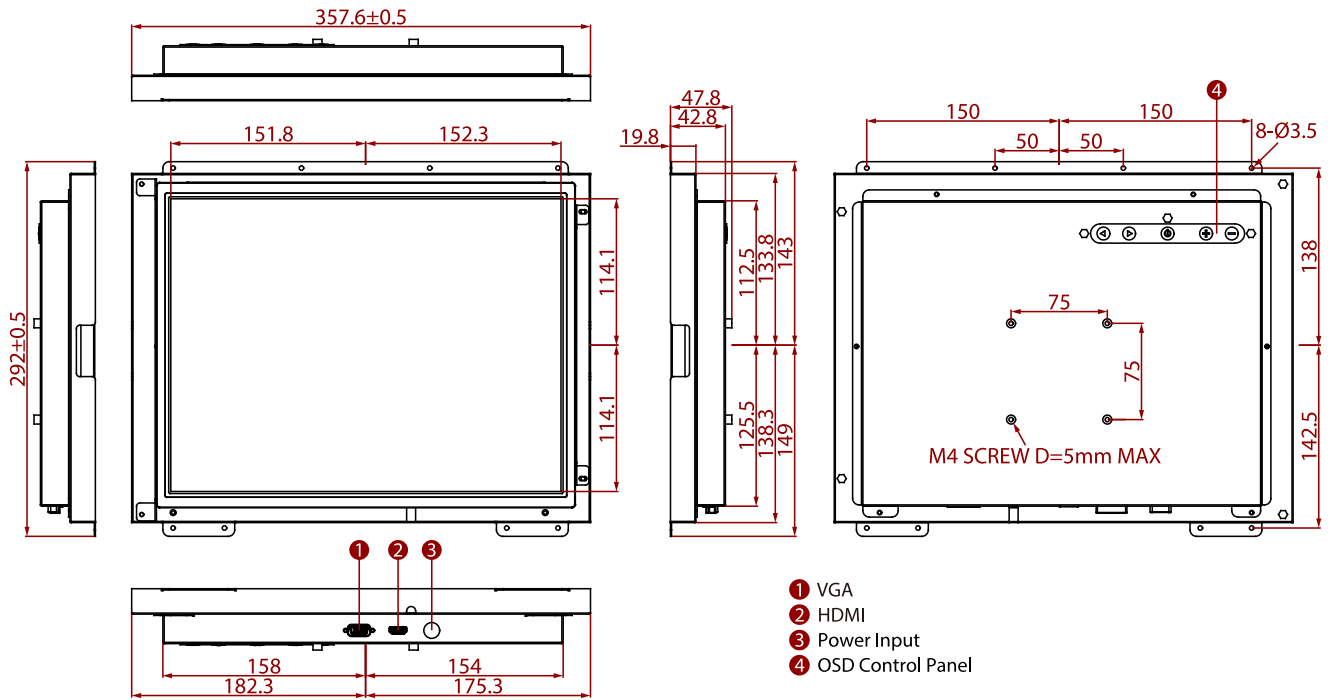
SPECIFICATIONS

| Display | |
|-----------------------|---|
| Resolution | 1024x768 |
| Contrast Ratio | 2500:1 |
| Display Color | 16.7M Colors |
| Active Area | 304.1x228.1 mm |
| Size | 15 inches |
| Panel Brightness | 500 nits |
| View Angles | 88,88,88,88 |
| Touch / Glass | Resistive Touch Screen (Optional) Protection Glass w/o Touch Function (Optional) SAW Touch (Surface Acoustic Wave) (Optional) |
| Environment | |
| Operating Humidity | 10% to 90% (non-condensing) |
| Storage Temperature | -10~60°C |
| Operating Temperature | 0~50°C |
| Certification | |
| Certification | CE, FCC |
| IO Ports | |
| USB Port | 1 x USB for Touch Screen |
| Video | 1 x VGA 1 x HDMI (Optional) 1 x DVI (Optional) |
| Audio | Audio line in (3.5mm) (Optional) 2 x Speaker (Optional) |
| Mechanical | |
| Dimension | 357.6 x 292 x 49.8 mm |
| Weight | 3 kg |
| Mounting | VESA Mount/ Rear Mount |
| Enclosure | Metal |
| Cooling System | Fanless Design |
| Accessory | |
| Accessory | 1 x VGA cable 1 x HDMI cable 100~240V AC to DC Adapter Power Cord Manual VESA screws(Varies by product) |
| Optional Accessory | Remote Controller (Optional,Varies by product) |
| Power | |
| Power Rating | 12V DC input |

Control

Button 5 Keys: -, +, Power, Esc, Enter

DIMENSIONS UNIT:MM



NOTE

1. This is a simplified drawing and some components are not marked in detail.
2. Please contact our sales representative if you need further product information.
3. All specifications are subject to change without prior notice.
4. The product shown in this datasheet is a standard model. For diagrams that contain customized or optional I/O, please contact the Winmate Sales Team for more information.