

R15L100-POC3

15" Multi-Touch Open Frame Display



KEY FEATURES

- 15", 1024 x 768
- VGA and HDMI input
- Open frame
- VESA mount

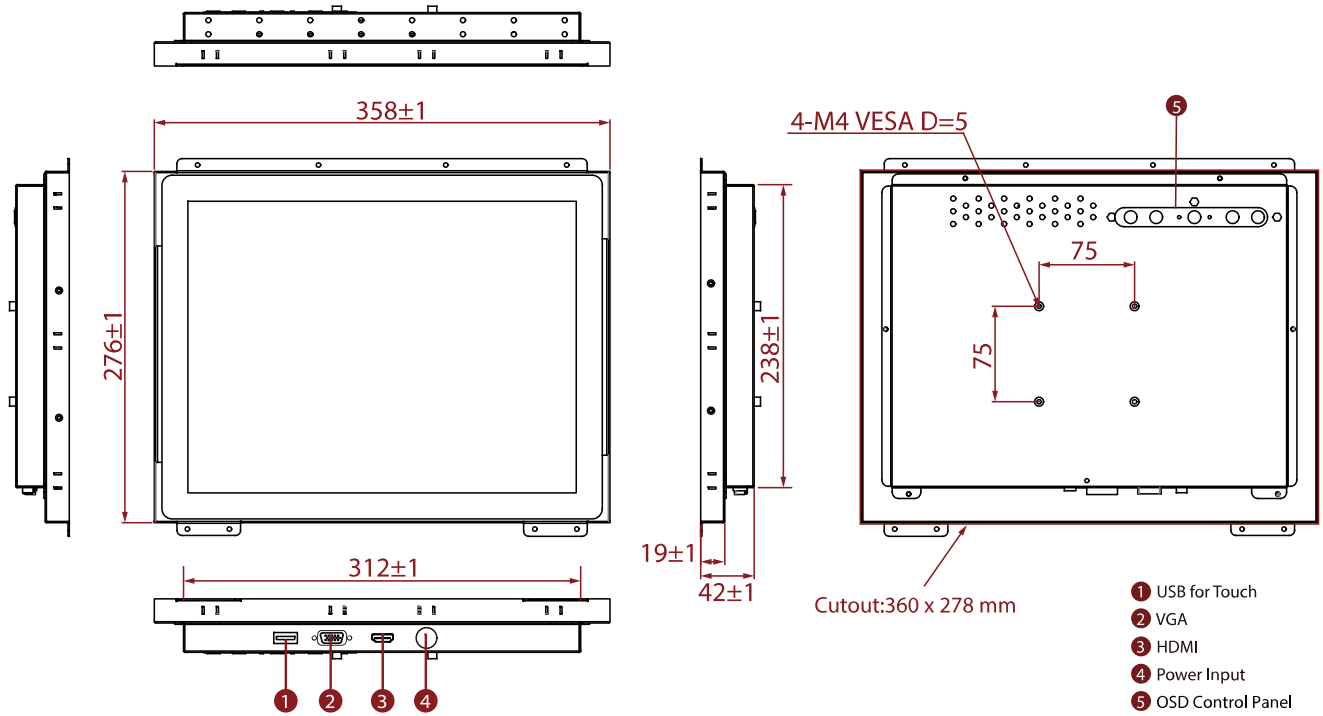


SPECIFICATIONS

Display	
Resolution	1024x768
Contrast Ratio	2000:1
Display Color	16.2M Colors
Active Area	304.1x228.1 mm
Size	15 inches
Panel Brightness	300 nits
View Angles	88,88,88,88
Touch / Glass	Projected Capacitive Multi Touch Screen Anti-glare Coating (Optional)
Environment	
Operating Humidity	10% to 90% (non-condensing)
Storage Temperature	-10~60°C
Operating Temperature	0~50°C
Certification	
Certification	CE, FCC
IO Ports	
USB Port	1 x USB for Touch Screen
Audio	Audio line in (3.5mm) (Optional) 2 x Speaker (Optional)
Video	1 x VGA 1 x HDMI (Optional) 1 x DVI (Optional)
Mechanical	
Dimension	358 x 276 x 42 mm
Enclosure	Metal
Cut out	360 x 278 mm
Mounting	VESA Mount/ Panel Mount
Cooling System	Fanless Design
Accessory	
Accessory	1 x VGA cable 1 x HDMI cable 100~240V AC to DC Adapter Power Cord Manual VESA screws(Varies by product)
Optional Accessory	Remote Controller (Optional,Varies by product)
Power	
Power Rating	12V DC input
Control	

DIMENSIONS UNIT:MM

Winmate R15L100-POC3



NOTE

1. This is a simplified drawing and some components are not marked in detail.
2. Please contact our sales representative if you need further product information.
3. All specifications are subject to change without prior notice.
4. The product shown in this datasheet is a standard model. For diagrams that contain customized or optional I/O, please contact the Winmate Sales Team for more information.