

# R15L100-VMC3(HB)

## 15" G-WIN VM Series Display



### KEY FEATURES

- High Quality 15" XGA panel, 1024 x 768 resolution
- 5 Wire resistive touch screen
- -10 ~ +55°C Wide Range Operating Temperature
- Anti-Corrosion housing with Fanless Design
- Built-in ambient Light sensor
- Front IP65 Dust & Waterproof Protection (Except I/O ports)
- 10 ~ 60V DC Isolation Wide Range Power Input. Optional Ignition on/off control function.



### SPECIFICATIONS

Display			
<b>Touch / Glass</b>	Resistive Touch Screen Protection Glass Without Touch Function (Optional)	<b>Optional function</b>	High brightness Panel for sunlight readable (Optional)
<b>Resolution</b>	1024x768	<b>Size</b>	15 inches
<b>Contrast Ratio</b>	2000:1	<b>Panel Brightness</b>	300 nits 1000 nits(Optional)
<b>Display Color</b>	16.2M Colors	<b>View Angles</b>	88,88,88,88
<b>Active Area</b>	304.1x228.1 mm		
Mechanical			
<b>Dimension</b>	398 x 308 x 58 mm	<b>Mounting</b>	VESA Mount Yoke Mount
<b>Enclosure</b>	Aluminum Housing	<b>Cooling System</b>	Fanless design
Environment			
<b>Operating Humidity</b>	10% to 90% (non-condensing)	<b>Operating Temperature</b>	-10~55°C
<b>Storage Temperature</b>	-30~70°C	<b>Shock</b>	MIL-STD-810G Method 516.6 (Optional)
<b>Vibration</b>	MIL-STD-810G Method 514.6	<b>IP rating</b>	Front IP65
Certification			
<b>Certification</b>	CE, FCC		
IO Ports			
<b>Power Input</b>	1 x 10~60V DC, 3-Pin Terminal Block	<b>USB Port</b>	1x USB type-A for touch screen control (Optional)
<b>Serial Port</b>	1 x RS232 D-sub9 for touch screen control (Optional)	<b>Video</b>	1x VGA input 1x HDMI input (Optional)
<b>Indicator</b>	1 x LED Indicator for power 1 x LED Indicator for status		
Control			
<b>Button</b>	1 x Power Button 1 x Adjust up button 1 x Adjust down button 1 x ESC (Auto) button 1 x Menu button		
Accessory			

**Accessory**

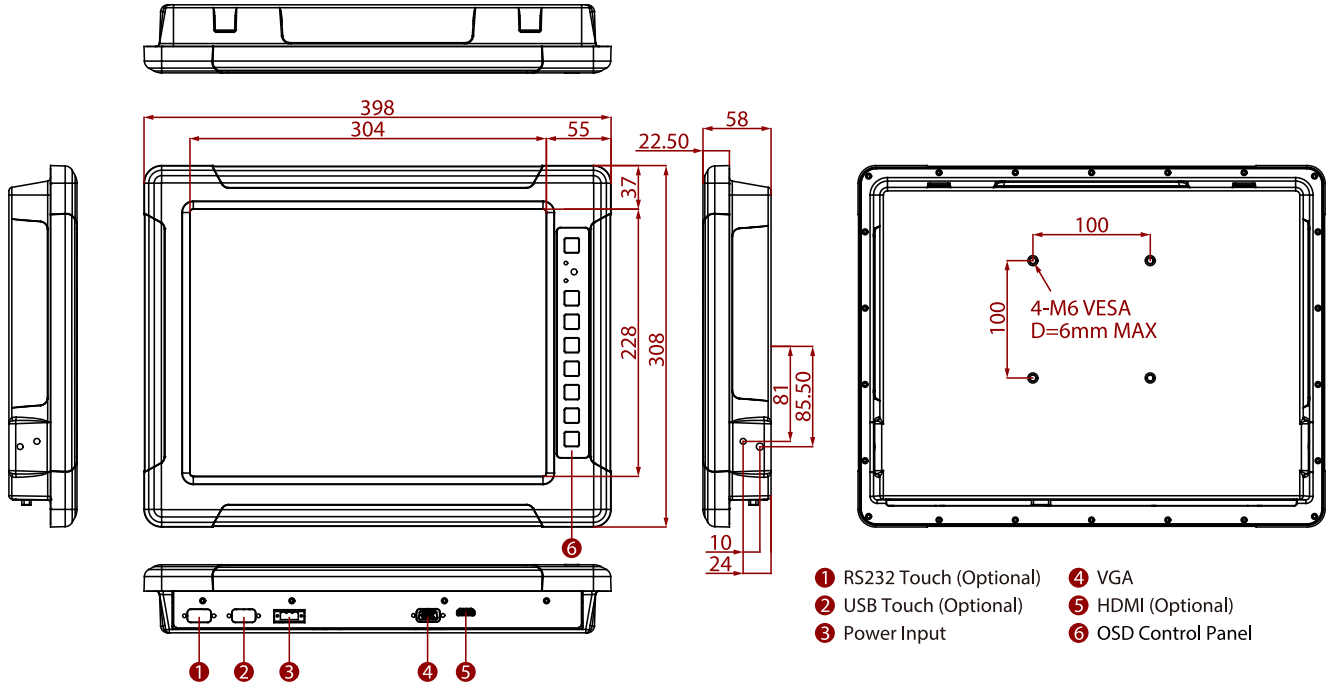
Open Wire Cable with terminal block connector  
 External VGA cable  
 Driver CD & Manual  
 VESA screws

**Optional Accessory**

Yoke mount stand (Optional)  
 100~240V AC to DC Adapter with power cord (Optional)  
 External USB/COM cable for touchscreen control (Optional)  
 External HDMI cable (Optional)

**System Specification****DIMENSIONS**

UNIT:MM

**NOTE**

1. This is a simplified drawing and some components are not marked in detail.
2. The product shown in this datasheet is a standard model. For diagrams that contain customized or optional I/O, please contact the Winmate Sales Team for more information.
3. All specifications are subject to change without prior notice.