

# R15L600-MLA3FP

## 15" PCAP Rack Mount Defence Display



### KEY FEATURES

- 15", 1024 x 768 resolution
- Compliant MIL-STD 810G/ MIL-STD 461E
- Rack mount mechanical design, supports VESA mount
- PCAP multi-touch screen
- Defence-grade power connector (MIL-DTL-38999/1)
- AC 100~240V, Universal, ±10%; DC 9~36V, ±10% (Optional)
- Convenient on-screen display controls

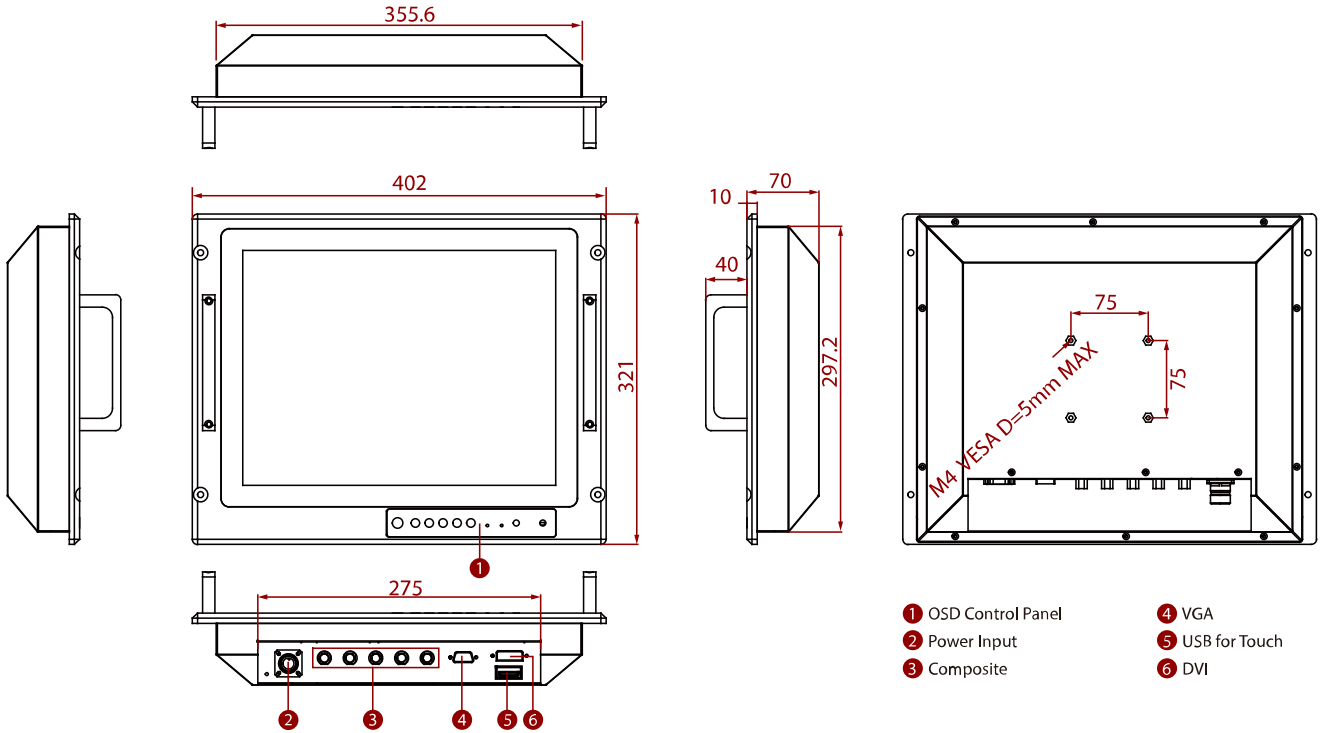


### SPECIFICATIONS

Display	
<b>Resolution</b>	1024x768
<b>Contrast Ratio</b>	2500:1
<b>Display Color</b>	16.7M Colors
<b>Active Area</b>	304.1x228.1 mm
<b>Size</b>	15.0 inches
<b>Panel Brightness</b>	500.0 nits
<b>View Angles</b>	88,88,88,88
<b>Touch / Glass</b>	Projected Capacitive Multi Touch Screen PCAP with With ITO Flim (Optional)
Environment	
<b>Operating Humidity</b>	10% to 95% RH
<b>Storage Temperature</b>	-30°C~70°C
<b>Operating Temperature</b>	-20°C~60°C
Compliance	
<b>MIL-STD 461E/F/G</b>	RE101 / RE102 CE101 / CE102 CS118 with EMI Glass / Touch(Optional) RS101 / RS 103 CS101 / CS 106 / CS 109 / CS 114 / CS 115 / CS 116
<b>MIL-STD 810G</b>	Vibration Method 514.6 Humidity Method 507.4 Transit Drop Method516.5
Certification	
<b>Certification</b>	CE, FCC
IO Ports	
<b>USB Port</b>	1 x USB for Touch Screen
<b>Video</b>	1 x VGA 5 x BNC (R,G,B,H,V) 1 x DVI-D
Mechanical	
<b>Dimension</b>	402 x 321 x 70 mm
<b>Enclosure</b>	Metal Housing with Aluminum Bezel
<b>Mounting</b>	Rack Mount/ VESA Mount
<b>Cooling System</b>	Fanless Design
Accessory	
<b>Accessory</b>	1 x User Manual(Hardcopy) 1 x Power Cord MIL-DTL-38999/1 1 x VGA Cable 1 x DVI Cable 1 x VGA to 5 BNC Shielding Cable

<b>Power</b>	
<b>Power Rating</b>	AC 100~240V, Universal, ±10% DC 9~36V, ±10% (Optional)
<b>Control</b>	
<b>Button</b>	7 key: Power Decrease Increase Exit/ Auto Menu Day/ Night Lock/ Unlock

**DIMENSIONS** UNIT:MM



**NOTE**

1. The product shown in this datasheet is a standard model. For diagrams that contain customized or optional I/O, please contact the Winmate Sales Team for more information.