

# R19IK3S-67FTP(HB)

## 19" Intel® Core™ i5 G-WIN Full IP67 Panel PC



### KEY FEATURES

- Totally sealed Full IP67 Design, Full IP67 Panel PC
- High performance and low power 7th Generation (kaby Lake) Intel® Core™ i5-7200U 2.5GHz (turbo to 3.1GHz)
- 19inch sunlight viewable 400 nits LCD panel ,Optional for 1000 nits High Brightness
- -10 to 55°C wide operating temperature
- Fanless, streamlined enclosure for highly efficient heat dissipation
- Touch screen control button to enable/disable touch screen interface
- Rugged Front Anti-Impact Design
- Front controll membrane keys Lockable by software
- Optical Bonding with Panel & Touch Screen to increase the clarity and transparence

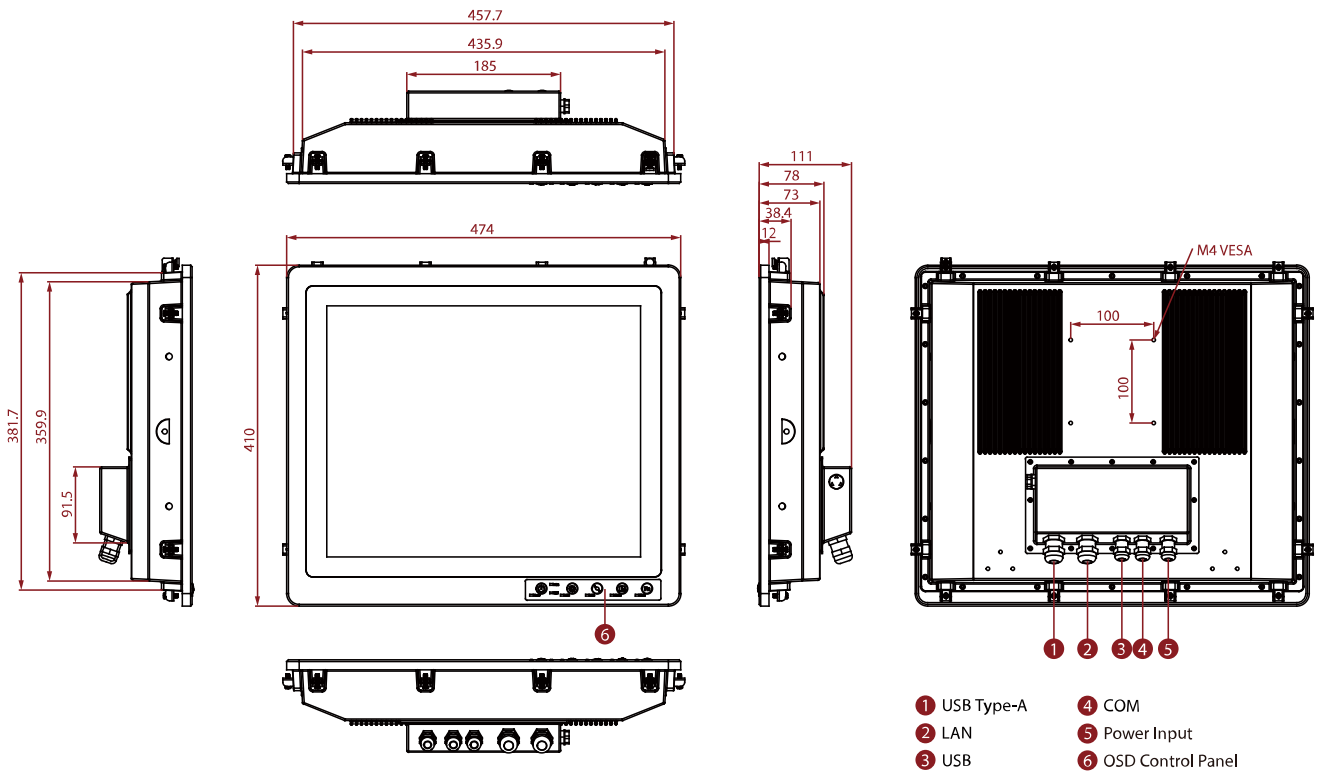


### SPECIFICATIONS

System Specification			
<b>Processor</b>	Intel Core i5-7300U 2.6GHz (up to 3.5GHz)	<b>Memory</b>	1 x SO-DIMM, DDR4 2133 MHz, 4GB 8GB (Optional) 16GB (Optional)
<b>Storage</b>	1 x M.2 2242 SSD 128GB 256GB (Optional) 512GB (Optional)	<b>Ethernet controller</b>	2 x Intel® Ethernet Controller
<b>Security</b>	TPM 2.0	<b>Operating System</b>	Windows 10 IoT Enterprise (64 bit) (Optional) Linux Ubuntu 20.04 (Optional)
<b>WLAN</b>	Support (Optional)	<b>BT</b>	Support (Optional)
Display			
<b>Resolution</b>	1280x1024	<b>Size</b>	19.0 inches
<b>Contrast Ratio</b>	1000:1	<b>Panel Brightness</b>	400 nits 1000 nits(Optional)
<b>View Angles</b>	85,85,80,80	<b>Active Area</b>	376.32x301.06 mm
<b>Touch / Glass</b>	Projected Capacitive Multi Touch Screen Bonding with Panel	<b>Optional function</b>	High brightness Panel for sunlight readable (Optional)
Mechanical			
<b>Dimension</b>	474 x 410 x 111 mm	<b>Weight</b>	9.8 kg
<b>Mounting</b>	Panel mount VESA Mount	<b>Enclosure</b>	Aluminum Housing
<b>Cooling System</b>	Fanless design	<b>Cut out</b>	462 x 386 mm
Environment			
<b>Operating Humidity</b>	10% to 90% RH, Non-Condensing	<b>Operating Temperature</b>	-10°C to 55°C -40°C to 70°C (with intelligent heater)
<b>Storage Temperature</b>	-30°C to 70°C	<b>Shock</b>	MIL-STD-810G Method 516.6 Procedure I
<b>Vibration</b>	MIL-STD-810G Method 514.6 Procedure I	<b>IP rating</b>	IP67
Certification			
<b>Certification</b>	CE, FCC		

IO Ports			
<b>Power Input</b>	1 x M12 waterproof connector for 9~36V DC	<b>USB Port</b>	1 x M12 waterproof connector for 2 x USB2.0 1 x Waterproof USB Type-A Connector with cover
<b>Serial Port</b>	1 x M12 waterproof connector for RS232	<b>LAN</b>	1 x waterproof Giga LAN RJ45 connector
<b>Indicator</b>	1 x LED Indicator for power 1 x LED Indicator for storage 1 x LED Indicator for heater 1 x LED Indicator for LAN 1 x LED Indicator for lock touch		
Control			
<b>Button</b>	1 x Power Button 1 x Brightness up Button 1 x Brightness down Button 1 x Button for locking touch function 1 x Programmable function key		
Accessory			
<b>Accessory</b>	External open wire Power cable with waterproof connector External USB cable with waterproof connector External COM cable with waterproof connector External LAN cable with waterproof connector Waterproof caps RJ45 female-female converter Mounting clips VESA screws	<b>Optional Accessory</b>	100~240V AC to DC 120W Adapter with power cord (Optional)

## DIMENSIONS UNIT:MM



## NOTE

1. This is a simplified drawing and some components are not marked in detail.
2. Please contact our sales representative if you need further product information.
3. All specifications are subject to change without prior notice.
4. The product shown in this datasheet is a standard model. For diagrams that contain customized or optional I/O, please contact the Winmate Sales Team for more information.

