

# R21L100-MLM1FP

## 21.3" PCAP Rack Mount Defence Display



### KEY FEATURES

- 21.3" 1600x1200 resolution, PCAP Rack Mount Defence Display
- PCAP multitouch screen
- Compliant MILSTD 810G/ MILSTD 461E
- Rack mount mechanical design, supports VESA mount
- Defencegrade power connector (MILDTL38999/1)
- AC 100~240V, Universal, ±10%; DC 9~36V, ±10% (Optional)
- Convenient onscreen display controls

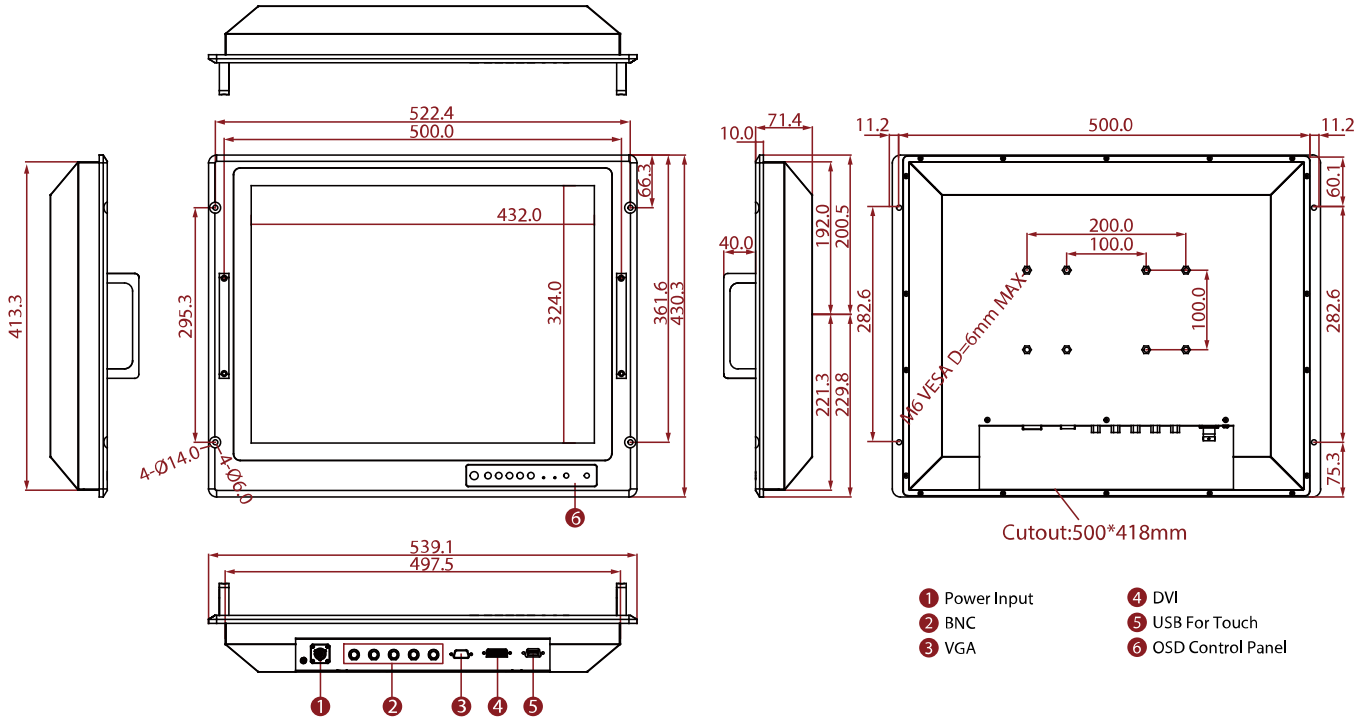


### SPECIFICATIONS

Display			
<b>Touch / Glass</b>	Projected Capacitive Multi Touch Screen PCAP with With ITO Flim (Optional)	<b>Resolution</b>	1600x1200
<b>Size</b>	21.3 inches	<b>Contrast Ratio</b>	1800:1
<b>Panel Brightness</b>	1000.0 nits	<b>Display Color</b>	16.8M Colors
<b>View Angles</b>	89,89,89,89	<b>Active Area</b>	432x324 mm
Environment			
<b>Operating Humidity</b>	10% to 95% RH	<b>Operating Temperature</b>	0~50°C
<b>Storage Temperature</b>	-10°C~60°C		
Compliance			
<b>MIL-STD 461E/F/G</b>	RE101 / RE102 CE101 / CE102 CS118 with EMI Glass / Touch(Optional) RS101 / RS 103 CS101 / CS 106 / CS 109 / CS 114 / CS 115 / CS 116	<b>MIL-STD 810G</b>	Vibration Method 514.6 Humidity Method 507.4 Transit Drop Method516.5
Certification			
<b>Certification</b>	CE, FCC		
IO Ports			
<b>USB Port</b>	1 x USB for Touch Screen	<b>Video</b>	1 x VGA 5 x BNC (R,G,B,H,V) 1 x DVI-D
Mechanical			
<b>Dimension</b>	539.1 x 430.3 x 71.4 mm	<b>Mounting</b>	Rack Mount/ VESA Mount
<b>Enclosure</b>	Metal Housing with Aluminum Bezel	<b>Cooling System</b>	Fanless Design
Accessory			
<b>Accessory</b>	1 x User Manual(Hardcopy) 1 x Power Cord MIL-DTL-38999/1 1 x VGA Cable 1 x DVI Cable 1 x VGA to 5 BNC Shielding Cable		

<b>Power</b>	
<b>Power Rating</b>	AC 100~240V, Universal, ±10% DC 9~36V, ±10% (Optional)
<b>Control</b>	
<b>Button</b>	7 key: Power Decrease Increase Exit/ Auto Menu Day/ Night Lock/ Unlock

**DIMENSIONS** UNIT:MM



**NOTE**

1. This is a simplified drawing and some components are not marked in detail.
2. If you require an external test report, Winmate will charge an NRE fee.
3. Please contact our sales representative if you need further product information.
4. All specifications are subject to change without prior notice.
5. The product shown in this datasheet is a standard model. For diagrams that contain customized or optional I/O, please contact the Winmate Sales Team for more information.