

TPM-3221

21.5" FHD Widescreen Industrial LCD Touch Monitor



Features

- 21.5" LCD Panel up to 1920 x 1080 (FHD) Resolution
- LED Backlight Provides 20~30% Power Savings
- Projected Capacitive Multi-touch Screen
- 7 Mohs Screen Hardness
- 90% Transparency Provides Clear Image
- Supports Panel mount & VESA mount

Applications

- Industrial HMI Display
- ATM / Self-service / Kiosk Applications
- Vending / Ticketing Machines
- Point-of-information Terminals
- Factory / Machine Automation

→ Packing List

Description
1 x TPM-3221
1 x USB Cable
1 x VGA Cable
1 x Power Adapter

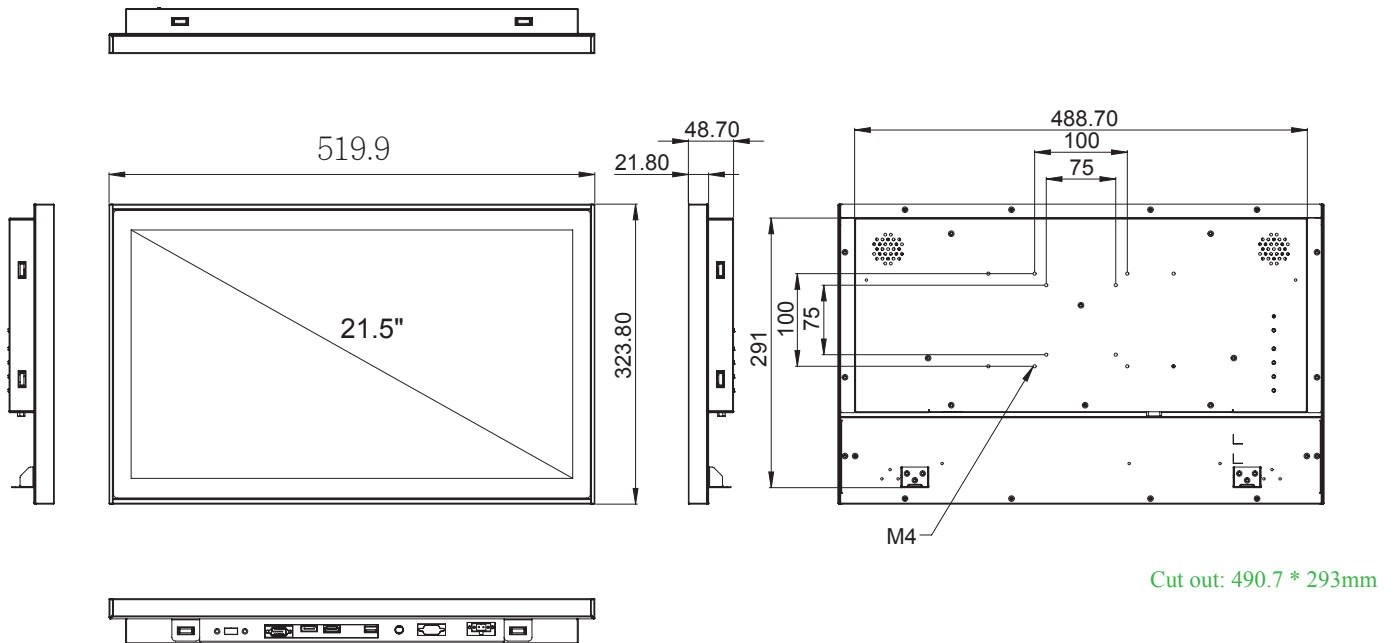
→ Optional Items

Part No.	Description
ACS-100-STD	VESA Table Stand

→ Ordering Information

Part No.	Description
TPM-3221P-A3	21.5" FHD Industrial LCD Projected Capacitive Touch Display

→ Dimensions



→ Specifications

Model		TPM-3221P
Display	Panel Size	21.5" LCD Panel
	Resolution	1920 x 1080 (FHD)
	Viewing Angle	85 x 85 (H), 80 x 80 (V)
	Brightness	250 (cd/m2)
	Color Support	16.7 M
	Contrast Ratio	1000:1
	Response Time	5 (msec)
Touchscreen	Type	Projected Capacitive multi-touch screen
	Surface Hardness	7 Mohs
	Transparency	90% (±3%)
I/O Interface	Video Interface	1 VGA, 1 DP, 1 HDMI
	Touch Interface	1 USB
	Speaker Out	Audio Jack, with 2 W Amplifier
OSD Control	Function Key	5 Keys: Menu, Up, Down, Auto Adjust, Monitor Power on/off
Power	Power Connector	Phoenix Terminal Block, 2 pins
	Power Input	12-24V DC input, single power source
	Power Consumption (Typical)	16 W
	Power Type	2 pin terminal block
Environment	Operating Temperature	0~50° C (32~122° F)
	Storage Temperature	-30~70° C (-22~158° F)
	Humidity	5~95% @ 40° C, Non-condensing
	Vibration	5-500 Hz, 0.026 G ² /Hz, 2.16 Grms, X, Y, Z, 1 hour per axis
General	Mounting	Panel & VESA mount
	Ingress Protection	Front IP54
	Dimensions (L x W x H)	519.9 x 323.8 x 42.7 mm (20.64" x 12.74" x 1.68")
	Weight	4.45 kg (9.79 lb)
	Operating System	Single-touch: Windows XP Multi-touch: Windows 7/8.1/10, WES7-P, WE8S