

IP66/69K Protected 21.5" Stainless Steel Industrial Monitor with P-CAP/5-Wire Resistive Wide Touch



Features

- IP66/69K Protected Stainless Steel 316 Flat Panel Design
- 21.5" LCD, P-CAP/5-Wire Resistive, Resolution FHD
- 12 ~ 24 V DC power input (M12 Connector)
- VGA and USB (M12 Connector), HDMI port (IP67 Connector)
- VESA and Yoke mounting

Applications

- Food & Beverage Processing Industrial
- Pharmaceutical and Biopharmaceutical Equipment
- Embedded HMI Display System
- Factory Manufacturing Automation
- Chemical, Gas & Oil Critical Environment

→ Packing List

Description
1 xTPM-3621

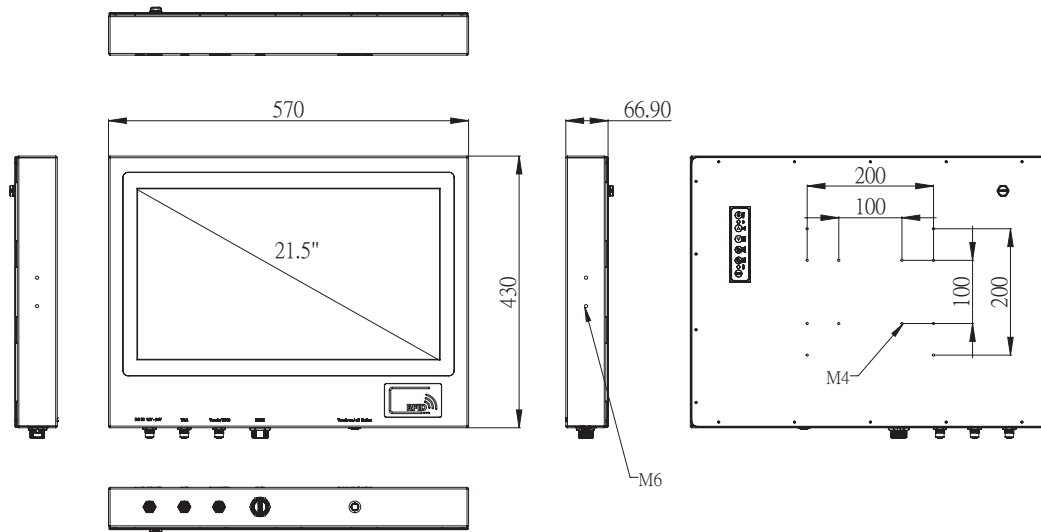
→ Optional Items

Part No.	Description
APW-60M12V-01	12V, 60W, 5A, 5-pin M12 Connector (US)
APW-60M12V-02	12V, 60W, 5A, 5-pin M12 Connector (EU)
AKT-VGA2M12-M	M12 Connector to DB15 Male Cable, 2m
AKT-TOURFIDM12	M12 Connector to Touch and RFID Cable, 2m
AKT-HDMI2IP67	IP67 Connector to HDMI Cable, 2m

→ Ordering Information

Part No.	Description
TPM-3621PW-B6A1	21.5" 16:9 (1920 x 1080), 250nits, Stainless Steel 316 Full IP66/69K Protection, with Projected capacitive touch screen, USB interface, 1 VGA, DC 12~24V, M12 connector, 1 HDMI IP67 Connector, 1 RFID to connect panel PC, USB interface, M12 connector
TPM-3621RW-B6A1	21.5" 16:9 (1920 x 1080), 250nits, Stainless Steel 316 Full IP66/69K Protection, with 5-wire Resistive touch screen, USB interface, 1 VGA, DC 12~24V, M12 connector, 1 HDMI IP67 Connector, 1 RFID to connect panel PC, USB interface, M12 connector

→ Dimensions



→ Specifications

Model		TPM-3621PW-B6A1	TPM-3621RW-B6A1
LCD Panel	Panel Size	21.5"	
	Aspect Ratio	16:9	
	Resolution	1920 x 1080 (Full HD)	
	Viewing Angle	85 x 85 (H) x 80 x 80 (V)	
	Brightness	250 (cd/m ²)	
	Contrast Ratio	1000:1	
	Life Time	50,000 hrs	
Touchscreen	Type	Projected Capacitive Touch	5-Wire Resistive
	Surface Hardness	7 Mohs	3 Mohs
	Transparency	90% (±3%)	80% (±3%)
	On/Off Button	YES	N/A
I/O Interface	Video Interface	1 VGA (M12 Connector), 1 HDMI (IP67 Waterproof Connector)	
	Touch Interface	1 USB (M12 Connector)	
	Audio	N/A	
	Speaker	N/A	
	Others	1RFID to connect panel PC, USB interface, M12 connector, RFID Reader (UID Reader only, CARD TYPE: ISO 18092 Felica, ISO 14443A Mifare® Class, Ultralight), Ferquency: 13.56MHz *Also can option 125 kHz card types supported proximity cards: Cotag, Deister, GProx-II ID, ID Teck Alternate (128 bits), Isonas, NEDAP, and Postech. 13.56 MHz card types supported contactless cards: NFC 1 (Topaz), iCLASS Seos, ISO 14443B, FeliCa (NFC 3), CEPAS, Oyster, Ferquency : 125 kHz, USB interface, M12 connector (This RFID by option)	
OSD Control	Function Key	6 Keys: Menu, Up, Down, Auto Adjust, Monitor Power on/off, Funtion Key	
Power	Power Input	12-24 V DC power input, single power source	
	Power Connector	M12 connector	
	Power Consumption	1.33A @ 12V (16W)	
Mounting	VESA Mount	200 mm x 200 mm; 100mm x 100mm	
	Panel Mount	N/A	
	Others	Yoke mount	
Environment	Operating Temperature	-20~60° C (-4~140° F)	
	Storage Temperature	-20~60° C (-4~140° F)	
	Humidity	5~95% @ 40° C, non-condensing	
	Vibration	5-500 Hz, 0.026 G ² /Hz, 2.16 Grms, X, Y, Z, 1 hour per axis	
	Shock	Full System IP66 Protection , Stainless Steel 316 (IP69K Protection by Option)	
General	Certification	CE/FCC	
	Material, Surface Finish	Stainless Steel 316, Brush Finished	
	True Flat	Yes	
	Ingress Protection	Full System IP66/69K Protection	
	Dimensions (W x H x D)	570 X 430 X 66.9mm (22.4" X 16.93 " X 2.3")	
	Net Weight	9.71 kg (21.4 lb)	
	Operating System	Windows 7/8.1/10, WES7, WE8S, Linux Fedora, Ubuntu	