

IP66/69K Protected 23.8" Stainless Steel Industrial Monitor with P-Cap Wide Touchscreen



Features

- IP66/69K Protected Stainless Steel 316 Flat Panel Design
- 23.8" LCD, Resolution 1920 x 1080
- DC power input (M12 Connector)
- VGA and USB (M12 Connector); HDMI port
- VESA mounting

Applications

- Food & Beverage Processing Industry
- Pharmaceutical and Biopharmaceutical Equipment
- Embedded HMI Display System
- Factory Manufacturing Automation
- Chemical, Gas & Oil Critical Environment

→ Packing List

Description
1 x TPM-3624PW

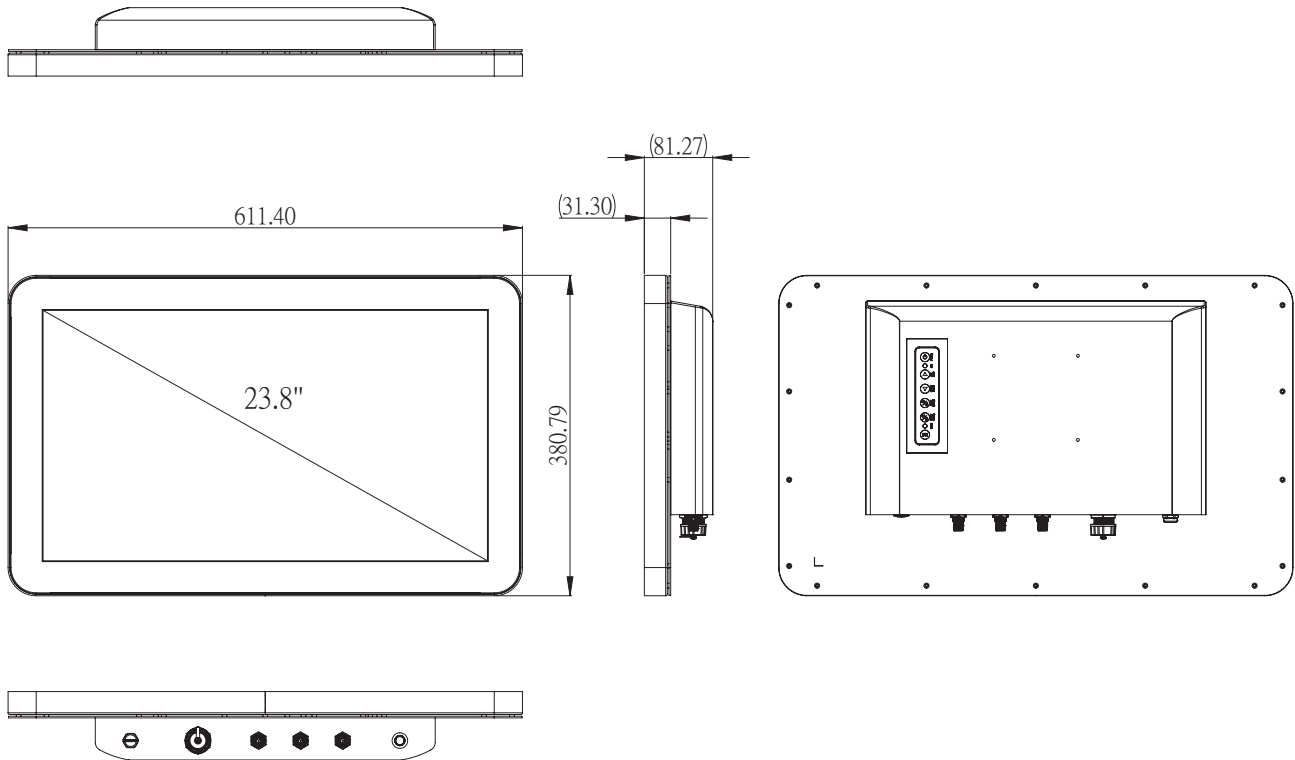
→ Optional Items

Part No.	Description
APW-60M12V-01	12V, 60W, 5A, 5-pin M12 Connector (US)
APW-60M12V-02	12V, 60W, 5A, 5-pin M12 Connector (EU)
AKT-TOU2M12	M12 Connector to Touch Cable, 2m
AKT-VGA2M12-M	M12 Connector to DB15 Male Cable, 2m
AKT-HDMI2IP67	IP67 Connector to HDMI Cable, 2m

→ Ordering Information

Part No.	Description
TPM-3624PW-B6A1	23.8" FHD, Full System IP66 Stainless Steel Industrial Touch Monitor, Flat Panel, Projected Capacitive Touch, USB interface, VGA, 12~24V DC input, M12 Connectors

→ Dimensions



→ Specifications

Model		TPM-3624PW-B6A1
Display	Panel Size	23.8" LCD Panel
	Resolution	1920 x 1080 (Full HD)
	Viewing Angle	89 x 89 (H), 89 x 89 (V)
	Brightness	250 (cd/m2)
	Color Support	16.7 M
	Contrast Ratio	3000:1
	Response Time	20 (msec)
Touchscreen	Type	Projected Capacitive
	Surface Hardness	7 Mohs
	Durability	N/A
	Transparency	90% (±3%)
I/O Interface	Input Interface	1 VGA (M12 Connector), 1 HDMI (IP67 Waterproof Connector)
	Touch Interface	1 USB, M12 Connector
OSD Control	OSD Function Key	1 Touch on/off Button 6 Keys: Menu, Up, Down, Auto Adjust, Monitor Power on/off, Function Key
Power	Power Input	12-24 V DC power input, single power source
	Power Connector	M12 connector
	Power Consumption (Typical)	TBD
Environment	Operating Temperature	0~60° C (32~140° F)
	Storage Temperature	-20~60° C (-4~140° F)
	Humidity	5~95% @ 40° C, Non-condensing
	Vibration	5-500 Hz, 0.026 G ² /Hz, 2.16 Grms, X, Y, Z, 1 hour per axis
General	Ingress Protection	Full System IP66 Protection, Stainless Steel 316 (IP69K Protection by Option)
	Dimensions (W x H x D)	611.40 x 380.79 x 81.27 mm (24.07" x 14.99" x 3.20")
	Weight	12.12 kg (26.72 lb)
	Operating System	Windows 7/8.1/10, WES7, WES8, Linux Fedora, Ubuntu