

Main Features

- Onboard 11th Gen Intel® Core™ processor
- Four 4K@60Hz display output thru 4 x HDMI 2.0
- Dual LAN port, 3 x USB 3.0, 1 x USB 2.0 port for easy connection
- 1 x M.2 3052 Key B for 5G/LTE module
- 1 x M.2 2280 Key M for NVME/SATA storage
- 1 x Full-size PCI express mini card slot

Product Overview

Powered by the 11th Gen Intel® Core™ processor, V1100 MB series can handle powerful multimedia content, with Intel® processor low power consumption and Intel® Iris® X^e graphics, the platform deliver powerful graphics offering stunning visuals for compelling 4K content creation and media playback. It supports maximum memory of 64GB DDR4, offers 4 x HDMI 2.0, dual LAN port, 3 x USB 3.2, 1 x USB 2.0 to provide the flexibility of a range of peripherals, like kiosk, box office display, information stand, bus stop, etc.

Specifications

CPU Support

- Onboard 11th Gen Intel® Core™ i3-1115G4E processor, Dual Core, 2.2 GHz, 6M cache
- Onboard 11th Gen Intel® Core™ i5-1145G7E processor, Quad Core, 1.5 GHz, 8M cache
- Onboard 11th Gen Intel® Core™ i7-1185G7E processor, Quad Core, 1.8 GHz, 12M cache

Chipset

- SoC

Main Memory

- 2 x 260-pin SO-DIMM socket support DDR4 non-ECC memory, dual channel, up to 32GB

Graphics & Display

- Intel® UHD graphics on i3 processor
- Intel® Iris® X^e graphics on i5 and i7 processor
- 4 x HDMI 2.0, support 4096 x 2160@60Hz

LAN

- 1 x Intel® i219-LM GbE PHY support PXE boot from LAN, wake on LAN function

- 1 x Intel® i225-V 2.5G LAN controller PXE boot from LAN, wake on LAN function

Storage

- 1 x M.2 2280 Key M (PCIe 4.0 x4, SATA 3.0), support storage modules
- 1 x SATA 3.0 & SATA power connector for optional 2.5" SSD

I/O Function - Edge

- 1 x 12V DC Jack 4-pin
- 4 x HDMI 2.0
- 1 x GbE LAN, 1 x 2.5GbE LAN
- 3 x USB 3.2, 1 x USB 2.0

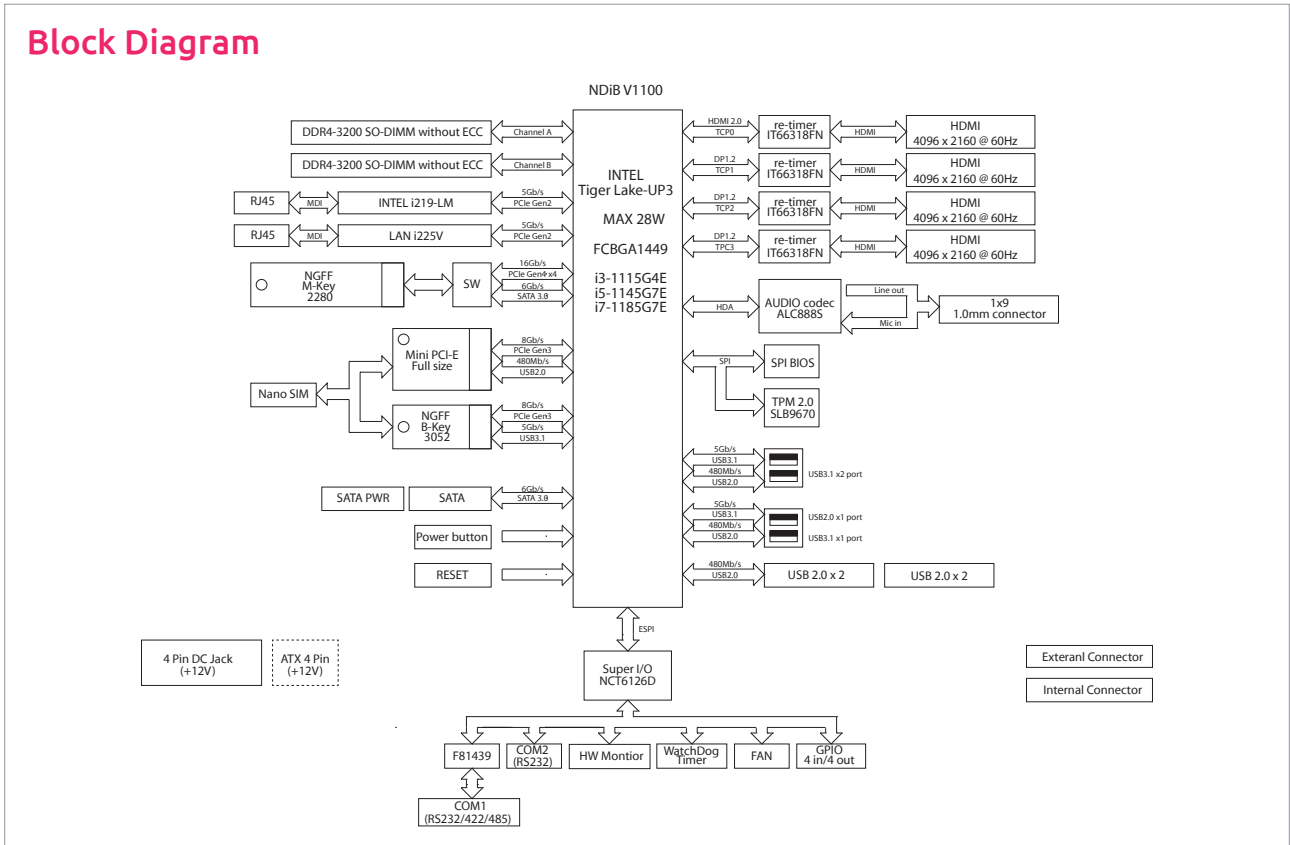
I/O Interface-Internal

- 4 x USB 2.0
- 1 x 9-pin Line-out/Mic-in
- 1 x 8-pin GPIO(4-in/4-out)
- 1 x RS232/422/485, 1 x RS232

Expansion

- 1 x M.2 3052 Key B for 5G/LTE module
- 1 x M.2 2280 Key M for NVME/SATA storage
- 1 x Full-size PCI express mini card slot

Block Diagram



Power Requirement

- 12V/8A DC input thru 4-pin DC Jack (colay with internal connector ATX 4-pin (ATX 4 pin: optional))

Environment

- Operating temperature: 0°C to 60°C
- Storage temperature: -40°C to 80°C
- Humidity: 10 to 90% (non-condensing)

Certification

- CE Approval
- FCC Class A

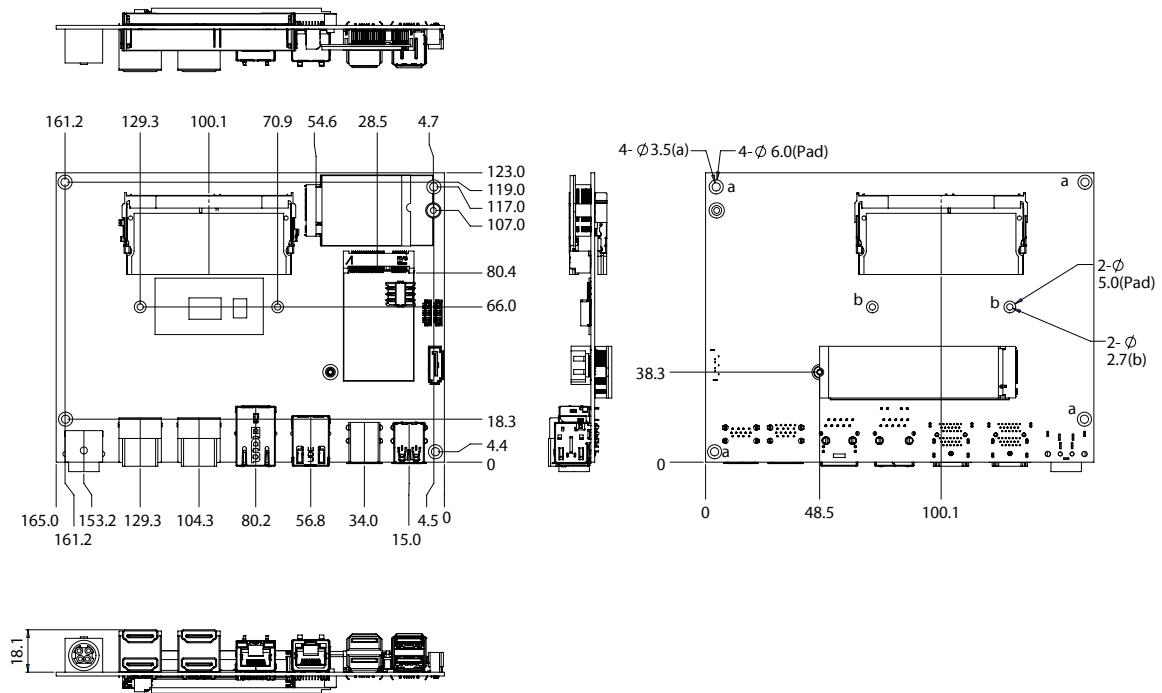
Dimensions

- 165mm (W) x 123mm (D)

Operating System

- Win10/Linux

Dimension Drawing (mm)



Ordering Information

- **V1100-i3 (P/N: 10W00110003X0)**
EPIC embedded board with Intel® Core™ i3-1115G7E processor
- **V1100-i5 (P/N: 10W00110004X0)**
EPIC embedded board with Intel® Core™ i5-1145G7E processor
- **V1100-i7 (P/N: 10W00110005X0)**
EPIC embedded board with Intel® Core™ i7-1185G7E processor