

W07IE3S-PMT1

7" Intel® Celeron® N6211 Panel Mount Panel PC



KEY FEATURES

- 7" TFT SVGA LCD
- Intel® Celeron® Elkhart Lake N6211 Processor
- 1 x SO-DIMM, max. 16GB DDR4
- 2 x Gigabit Ethernet
- Supports 2 x SATA III, 4 x COM, 2 x USB 3.2 Gen 2x1, 4 x USB 2.0

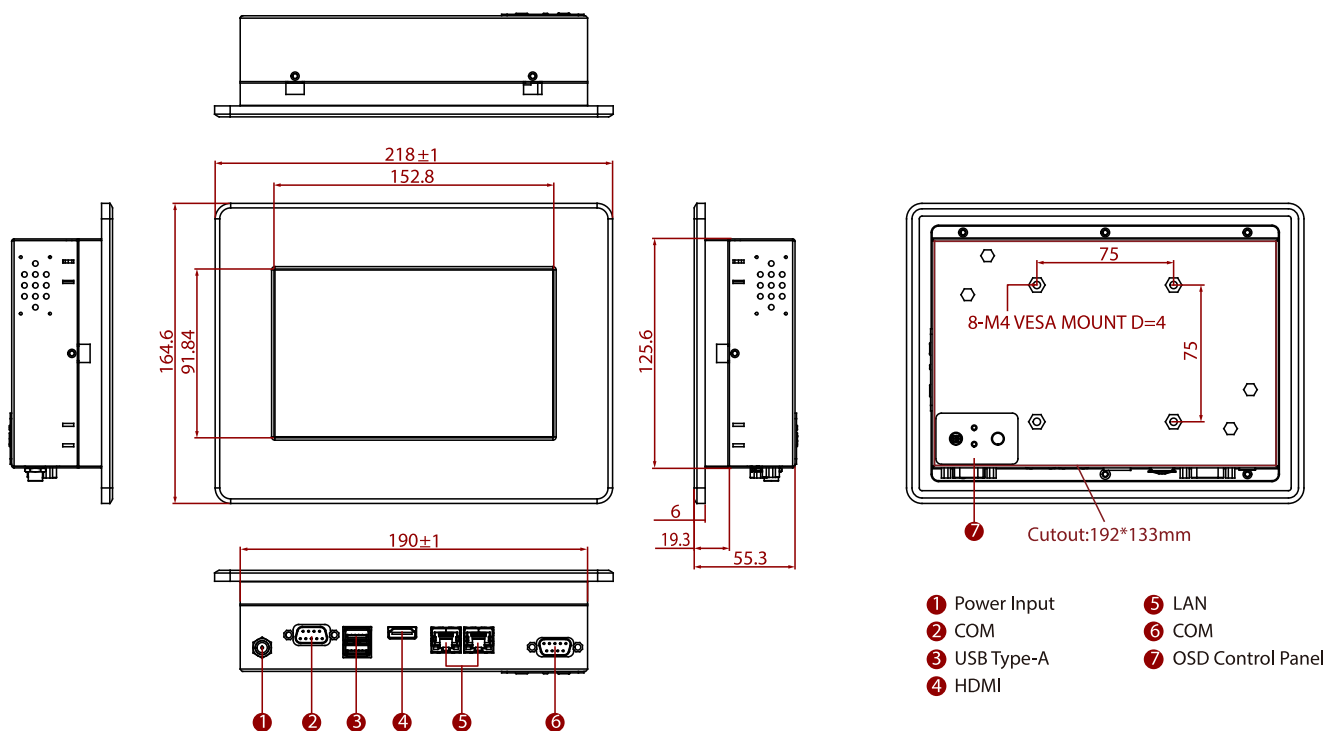


SPECIFICATIONS

Display			
Resolution	1024x600	Size	7.0 inches
Contrast Ratio	1000:1	Panel Brightness	320.0 nits
View Angles	75,75,75,70	Active Area	153.6x90 mm
Touch / Glass	Resistive Touch Screen (Optional) Protection Glass Without Touch Function (Optional)		
System Specification			
WLAN	Support (Optional)	BT	Support (Optional)
Processor	Intel® Celeron® N6211 (up to 3.0GHz) Intel® Celeron® N6210 (up to 2.6GHz) (Optional)	Memory	1 x SO-DIMM, DDR4 3200 MHz, 4GB 8GB (Optional) 16GB (Optional)
Storage	1 x M.2 2242 B-key SSD 128GB 256GB (Optional) 512GB 1 x SATA III for 2.5" SSD/HDD up to 1TB (Optional)	Ethernet controller	2 x Intel® Ethernet Controller
Security	TPM 2.0	Operating System	Windows 11 IoT Enterprise (64 bit) (Optional) Windows 11 Pro 64 bit (Optional) Windows 10 IoT Enterprise (64 bit) (Optional) Linux Ubuntu 22.04 (Optional)
Mechanical			
Dimension	218 x 164.6 x 55.3 mm	Weight	1.5 kg
Mounting	Panel mount VESA Mount	Enclosure	Metal Housing
Cooling System	Fanless design	Cut out	192 x 133mm
Environment			
Operating Humidity	10% to 90% RH, Non-Condensing	Operating Temperature	0°C to 50°C
Storage Temperature	-10°C to 60°C		
Certification			
Certification	CE, FCC		
IO Ports			
Power Input	1 x 12V DC, 2.5φ DC jack	USB Port	2 x USB3.2 Gen2x1 (Type-A)

Serial Port	1 x RS232/422/485 (Default RS232) 1 x RS232	Video	1 x HDMI 2.0 (Optional)
Audio	2 x Speaker	Expansion Port	1 x M.2 2242 B-Key Slot (for SATA III SSD) 1 x M.2 2230 E-Key Slot (for Wi-Fi module)
LAN	2 x Giga LAN RJ45 Connector	Indicator	1 x LED Indicator for power 1 x LED Indicator for storage
Control			
Button	1 x Power Button 1 x Reset Button		
Accessory			
Accessory	100~240V AC to DC Adapter Power Cord VESA screws Mounting clips		
Power			
Power Rating	12V DC	Adapter	12V 50W

DIMENSIONS UNIT:MM



NOTE

1. This is a simplified drawing and some components are not marked in detail.
2. Please contact our sales representative if you need further product information.
3. All specifications are subject to change without prior notice.
4. The product shown in this datasheet is a standard model. For diagrams that contain customized or optional I/O, please contact the Winmate Sales Team for more information.