

# W07L100-GST1

## 7" G-WIN GS Series Display



### KEY FEATURES

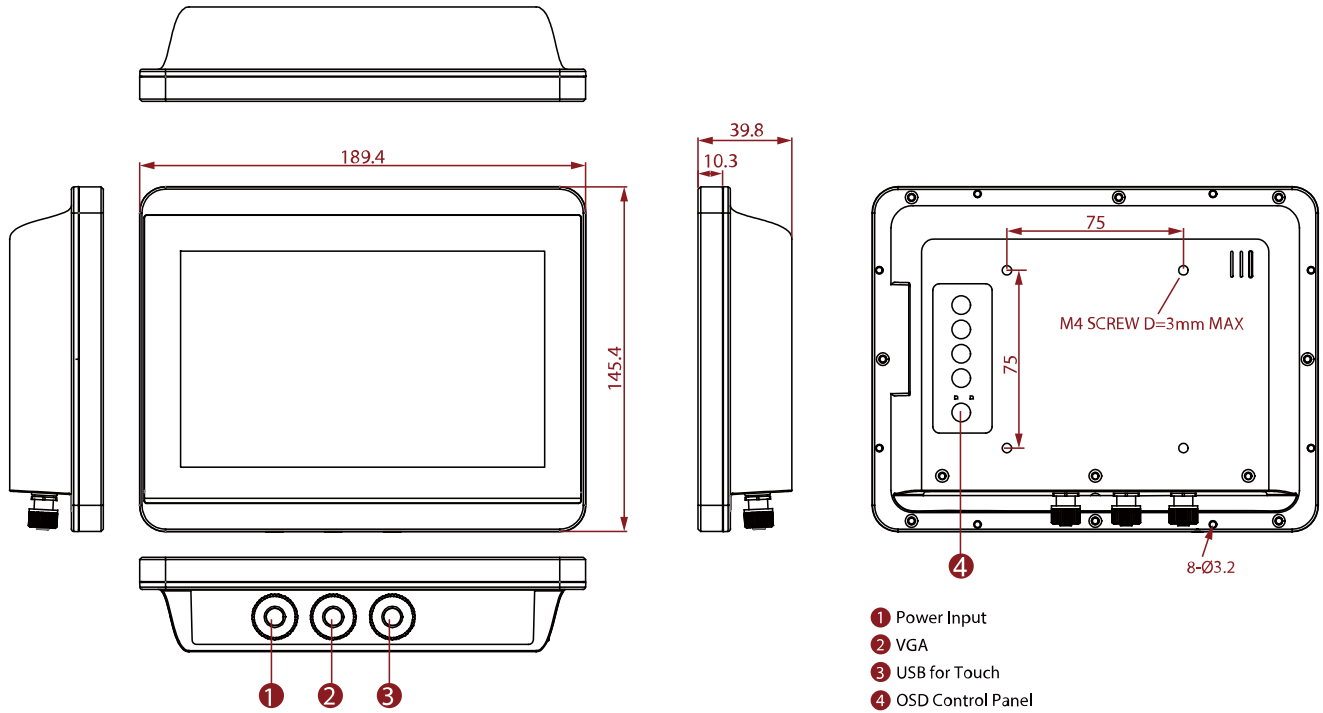
- 7" 1024 x 600 Resolution
- Projected Capacitive Multi-Touch (PCAP)
- Full IP65 Water and Dust Proof
- VGA input and USB port for touch
- M12 Type Connectors
- Compliant with MIL-STD-810F/G for Shock / Vibration



### SPECIFICATIONS

Display	
<b>Resolution</b>	1024x600
<b>Contrast Ratio</b>	500:1
<b>Display Color</b>	16.7M Colors
<b>Active Area</b>	153.6x90 mm
<b>Size</b>	7 inches
<b>Panel Brightness</b>	320 nits
<b>View Angles</b>	75,75,75,70
<b>Touch / Glass</b>	Projected Capacitive Multi Touch Screen Protection Glass (Optional)
Environment	
<b>Operating Humidity</b>	10% to 95% RH
<b>Storage Temperature</b>	-30°C to 60°C
<b>Vibration</b>	1.48/1.90/2.24 g rms for XYZ/ 5-500Hz
<b>Operating Temperature</b>	-15 °C to 55 °C
<b>Shock</b>	40g for 11ms
<b>IP rating</b>	Full IP65
Certification	
<b>Certification</b>	Compliant with MIL-STD-810F/G for vibration / shock, CE, FCC
IO Ports	
<b>USB Port</b>	1 x USB for Touch Screen
<b>Audio</b>	1 x Speaker
<b>Video</b>	1 x VGA
Mechanical	
<b>Dimension</b>	189.4 x 145.4 x 39.8 mm
<b>Enclosure</b>	Metal Housing with Aluminum Bezel
<b>Mounting</b>	VESA Mount/ Panel Mount
<b>Cooling System</b>	Fanless Design
Accessory	
<b>Accessory</b>	Quick Start Guide(Hardcopy) AC Adapter(For 7" Display only) M12 Power Cable(Not Supplied with 7" Display) VGA Cable USB for Touch Cable I/O Protective Cap x 3
Power	
<b>Power Rating</b>	12V DC (M12 type)
Control	
<b>Button</b>	5 Keys: -, +, Power, Esc, Enter

## DIMENSIONS UNIT:MM



## NOTE

1. This is a simplified drawing and some components are not marked in detail.
2. Please contact our sales representative if you need further product information.
3. All specifications are subject to change without prior notice.
4. The product shown in this datasheet is a standard model. For diagrams that contain customized or optional I/O, please contact the Winmate Sales Team for more information.