

W10L100-GCH2

10.1" G-WIN GC Series Front IP65 PCAP Display



KEY FEATURES

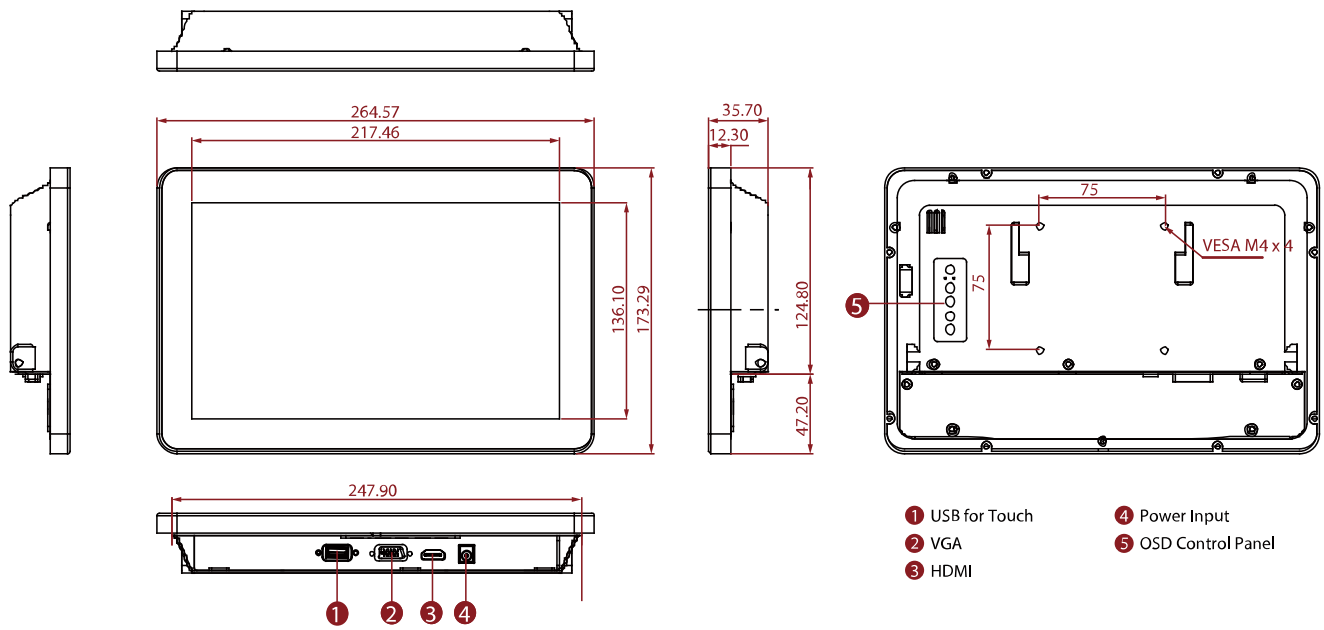
- 10.1" 1280 x 800 Resolution Front IP65 PCAP Display
- Projected Capacitive Multi-Touch (P-Cap)
- Front IP65 Water and Dust Proof
- VGA input and variety of optional connectors
- USB port for touch
- Stylish and elegant design



SPECIFICATIONS

Display	
Resolution	1280x800
Contrast Ratio	800:1
Display Color	16.7M Colors
Active Area	216.96x135.6 mm
Size	10.1 inches
Panel Brightness	350.0 nits
View Angles	85,85,85,85
Touch / Glass	Projected Capacitive Multi Touch Screen
Environment	
Operating Humidity	10% to 90% (Non-Condensing)
Storage Temperature	-20°C~60°C
Vibration	MIL-STD-810G Method 514.6
Operating Temperature	0~50°C
Shock	MIL-STD-810G Method 516.6
IP rating	Front IP65
Certification	
Certification	CE, FCC
IO Ports	
USB Port	1 x USB for Touch Screen
Audio	1 x Speaker (Optional)
Video	1 x VGA 1 x HDMI (Optional) 1 x DVI (Optional)
Mechanical	
Dimension	263.3 x 172 x 40.2 mm
Mounting	VESA Mount/ Panel Mount
Cooling System	Fanless Design
Weight	1.3 kg
Enclosure	Plastic Bezel & Aluminum back cover
Accessory	
Accessory	1 x VGA cable 1 x HDMI cable 100~240V AC to DC Adapter Power Cord Manual VESA screws(Varies by product)
Optional Accessory	Remote Controller (Optional,Varies by product)
Power	
Power Rating	12V DC in 24V DC in (optional)
Control	

DIMENSIONS UNIT:MM



NOTE

1. This is a simplified drawing and some components are not marked in detail.
2. The product shown in this datasheet is a standard model. For diagrams that contain customized or optional I/O, please contact the Winmate Sales Team for more information.
3. All specifications are subject to change without prior notice.
4. The product shown in this datasheet is a standard model. For diagrams that contain customized or optional I/O, please contact the Winmate Sales Team for more information.