

W10L100-GCH20D

10.1" PCAP Touch Chassis Display



KEY FEATURES

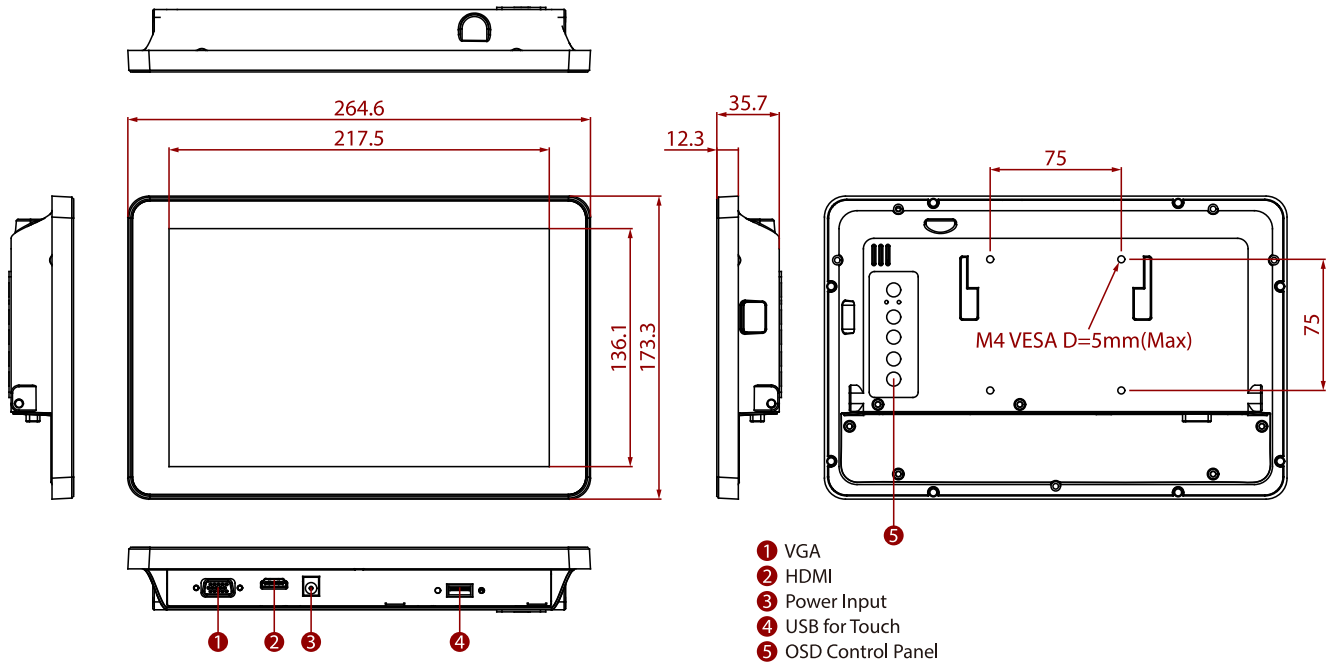
- Sunlight readable with high brightness solution
- Support VESA mount
- Support PCAP touch
- Operating temperature:-10~60°C
- Optional operating temperature : -25~60°C with heater solution
- Optional solar radiation protection with UV film for directed sunlight environment



SPECIFICATIONS

Display			
Touch / Glass	Projected Capacitive Multi Touch Screen	Resolution	1280x800
Size	10.1 inches	Contrast Ratio	800:1
Panel Brightness	1000.0 nits	Display Color	16.7M Colors
View Angles	85,85,85,85	Active Area	216.96x135.6 mm
Environment			
Operating Humidity	10% to 90% RH, Non-Condensing	Operating Temperature	-10°C to 60°C
Storage Temperature	-20°C to 70°C		
Certification			
Certification	CE, FCC		
IO Ports			
USB Port	1 x USB for Touch Screen	Video	1 x VGA 1 x HDMI (Optional) 1 x DVI (Optional)
Audio	1 x Speaker (Optional)		
Mechanical			
Dimension	264.6x 173.3 x 35.7 mm	Weight	1.3 kg
Mounting	VESA Mount/ Panel Mount	Enclosure	Plastic Bezel & Aluminum back cover
Cooling System	Fanless Design		
Accessory			
Accessory	1 x VGA cable 1 x HDMI cable 100~240V AC to DC Adapter Power Cord Manual VESA screws(Varies by product)	Optional Accessory	Remote Controller (Optional,Varies by product)
Power			
Power Rating	12V DC in 24V DC in (optional)		
Control			
Button	5 Keys: -, +, Power, Esc, Enter		

DIMENSIONS UNIT:MM



NOTE

1. This is a simplified drawing and some components are not marked in detail.
2. Please contact our sales representative if you need further product information.
3. All specifications are subject to change without prior notice.
4. The product shown in this datasheet is a standard model. For diagrams that contain customized or optional I/O, please contact the Winmate Sales Team for more information.