

# W10L100-PCH2-POE

## 10.1" PoE Chassis Display



### KEY FEATURES

- 10.1" 1280 x 800 Resolution PoE Chassis Display
- Projected Capacitive Multi-Touch (P-Cap)
- VGA input and HDMI input
- USB port for touch
- Stylish and elegant design
- Supports PoE
- Front IP65

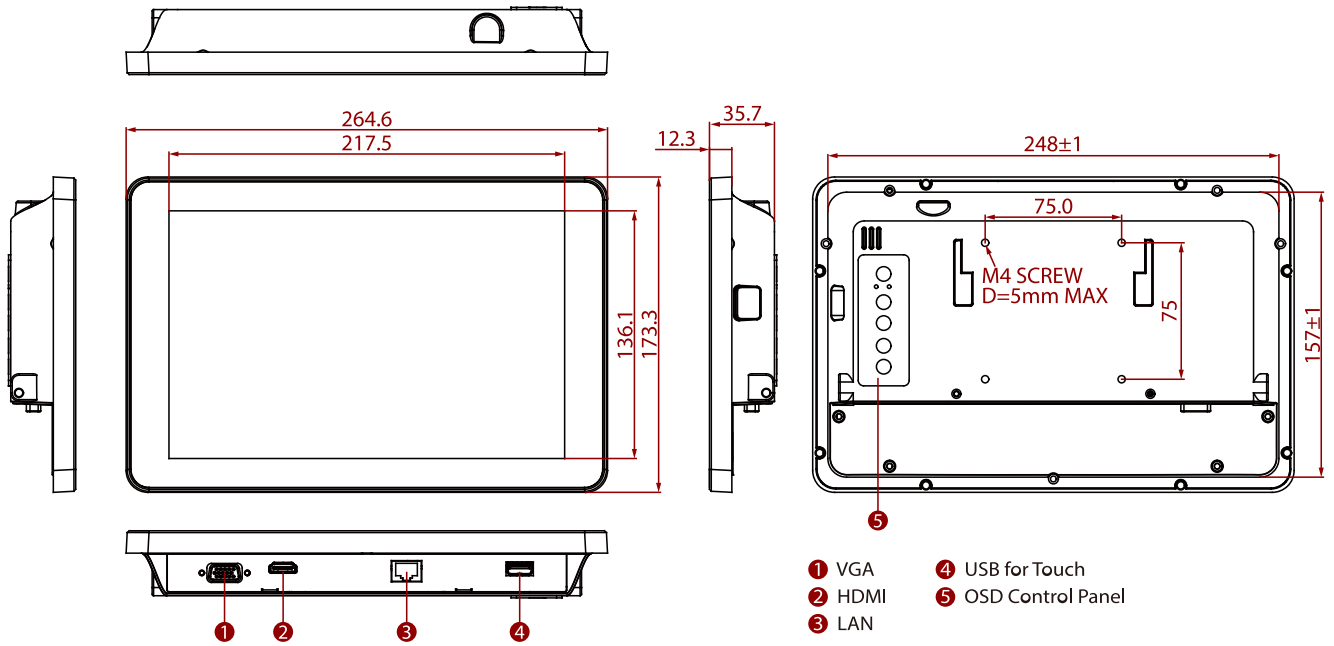


### SPECIFICATIONS

Display			
<b>Resolution</b>	1280x800	<b>Size</b>	10.1 inches
<b>Contrast Ratio</b>	800:1	<b>Panel Brightness</b>	350 nits
<b>Display Color</b>	16.7M Colors	<b>View Angles</b>	85,85,85,85
<b>Touch / Glass</b>	Projected Capacitive Multi Touch Screen Protection Glass (Optional) Anti-glare Coating (Optional)		
Environment			
<b>Operating Humidity</b>	10% to 90% (non-condensing)	<b>Operating Temperature</b>	0~50°C
<b>Storage Temperature</b>	-10~60°C		
Certification			
<b>Certification</b>	CE, FCC		
IO Ports			
<b>USB Port</b>	1 x USB for Touch Screen	<b>Video</b>	1 x VGA 1 x HDMI (Optional)
<b>Audio</b>	1 x Speaker (Optional)	<b>LAN</b>	1 x PoE for Power Input
Mechanical			
<b>Dimension</b>	264.57 x 173.29 x 35.7 mm	<b>Mounting</b>	VESA Mount/ Panel Mount
<b>Enclosure</b>	Aluminum	<b>Cooling System</b>	Fanless Design
Accessory			
<b>Accessory</b>	1 x USB Cable for Touch 1 x VGA Cable 1 x HDMI Cable		
Power			
<b>POE</b>	Power Device (PD) follows IEEE 802.3at (25 W), IEEE 802.3af (15 W)		
Control			
<b>Button</b>	5 Keys: -, +, Power, Esc, Enter		

## DIMENSIONS UNIT:MM

### Winmate W10L100-PCH2-PoE



## NOTE

1. This is a simplified drawing and some components are not marked in detail.
2. Please contact our sales representative if you need further product information.
3. All specifications are subject to change without prior notice.
4. The product shown in this datasheet is a standard model. For diagrams that contain customized or optional I/O, please contact the Winmate Sales Team for more information.