

# W15IT7T-PMA2

## 15.6" Intel® Core™ i5 (Tiger Lake) Panel Mount Panel PC



### KEY FEATURES

- Intel® Core™ Tiger Lake UP3 i5-1135G7 (Without vPro) / Intel® Core™ Tiger Lake UP3 i5-1145G7E (With vPro)
- 1366X768 Resolution
- Multi display supports DP / HDMI / LVDS / eDP panel interface
- Multiple I/Os, 2 x Serial Ports, 4 x USB 3.2 Gen. 1 Ports
- 12V Single Voltage Power Input

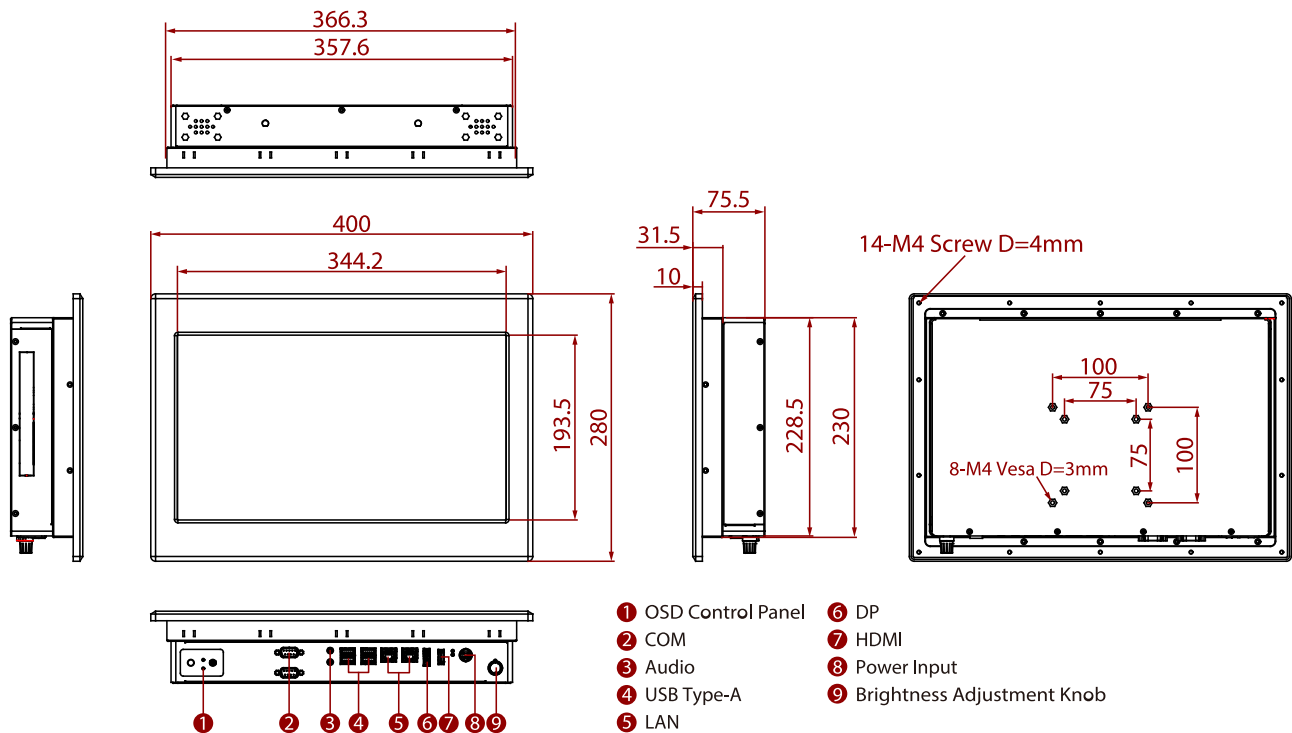


### SPECIFICATIONS

Display	
<b>Resolution</b>	1366x768
<b>Contrast Ratio</b>	500:1
<b>View Angles</b>	85, 85, 80, 80
<b>Touch / Glass</b>	Resistive Touch Screen (Optional) Protection Glass Without Touch Function (Optional)
<b>Size</b>	15.6 inches
<b>Panel Brightness</b>	400.0 nits
<b>Active Area</b>	344.232x195.536 mm
System Specification	
<b>WLAN</b>	Support (Optional)
<b>Processor</b>	Intel Core i5-1135G7 2.4GHz (up to 4.2GHz)
<b>Memory</b>	1 x SO-DIMM, DDR4 3200 MHz, 4GB 8GB (Optional) 16GB (Optional) 32GB (Optional) 2 x SO-DIMM, DDR4 3200 MHz, 4GB (Optional) 8GB (Optional) 16GB (Optional) 32GB (Optional) 64GB (Optional)
<b>Storage</b>	1 x M.2 M-Key 2280 NVMe SSD 128GB 256GB (Optional) 512GB (Optional) 1TB (Optional) 2TB (Optional) 1 x SATA III for 2.5" SSD/HDD up to 2TB (Optional)
<b>Security</b>	TPM 2.0
<b>Ethernet controller</b>	2 x Intel® Ethernet Controller
<b>Operating System</b>	Windows 11 IoT Enterprise (64 bit) (Optional) Windows 11 Pro 64 bit (Optional) Windows 10 IoT Enterprise (64 bit) (Optional) Linux Ubuntu 22.04 (Optional)
Mechanical	
<b>Dimension</b>	400 x 280 x 75.5 mm
<b>Mounting</b>	Panel mount VESA Mount
<b>Cooling System</b>	Fanless design
<b>Weight</b>	3.9 kg
<b>Enclosure</b>	Metal Housing
<b>Cut out</b>	368.3 x 232 mm
Environment	
<b>Operating Humidity</b>	10% to 90% RH, Non-Condensing
<b>Storage Temperature</b>	-10°C to 60°C
<b>Operating Temperature</b>	0°C to 50°C

Certification	
Certification	CE, FCC
IO Ports	
Power Input	1 x 12V DC, Din4 pin connector
Serial Port	1 x RS232/422/485 (Default RS232) 1 x RS232
Audio	Mic in Line out
LAN	2 x Giga LAN RJ45 Connector
Brightness Knob	1 x Brightness Adjustment Knob
Control	
Button	1 x Power Button 1 x Reset Button
Accessory	
Accessory	100~240V AC to DC Adapter Power Cord VESA screws Mounting clips
Power	
Power Rating	12V DC
Adapter	12V 120W

## DIMENSIONS UNIT:MM



## NOTE

1. This is a simplified drawing and some components are not marked in detail.
2. Please contact our sales representative if you need further product information.
3. All specifications are subject to change without prior notice.
4. The product shown in this datasheet is a standard model. For diagrams that contain customized or optional I/O, please contact the Winmate Sales Team for more information.