

W22L100-STA3

21.5" Stainless Panel Mount Display



KEY FEATURES

- 21.5", 1920 x 1080, Stainless Panel Mount Display
- VGA and HDMI input
- Panel mount
- VESA mount



SPECIFICATIONS

Display	
Resolution	1920x1080
Contrast Ratio	3000:1
Display Color	16.7M Colors
Active Area	476.64x268.11 mm
Size	21.5 inches
Panel Brightness	250 nits
View Angles	89,89,89,89
Touch / Glass	Resistive Touch Screen Protection Glass Without Touch Function (Optional)
Mechanical	
Dimension	544 x 340 x 68 mm
Enclosure	Stainless front bezel
Mounting	Panel mount VESA Mount
Cooling System	Fanless design
Environment	
Operating Humidity	10% to 90% (non-condensing)
Storage Temperature	-20~60°C
Operating Temperature	0~50°C
IP rating	Front IP65
Certification	
Certification	CE, FCC
IO Ports	
Power Input	1 x 12V DC, 2.5φ DC jack
Serial Port	1 x RS232 D-sub9 for touch screen control (Optional)
Indicator	1 x LED Indicator for power 1 x LED Indicator for status
USB Port	1x USB type-A for touch screen control (Optional)
Video	1x VGA input 1x HDMI input (Optional) 1x DVI input (Optional)
Control	
Button	1 x Power Button 1 x Adjust up button 1 x Adjust down button 1 x ESC (Auto) button 1 x OK (Menu) button
Accessory	
Accessory	100~240V AC to DC Adapter Power Cord
Optional Accessory	External DVI Cable (Optional)

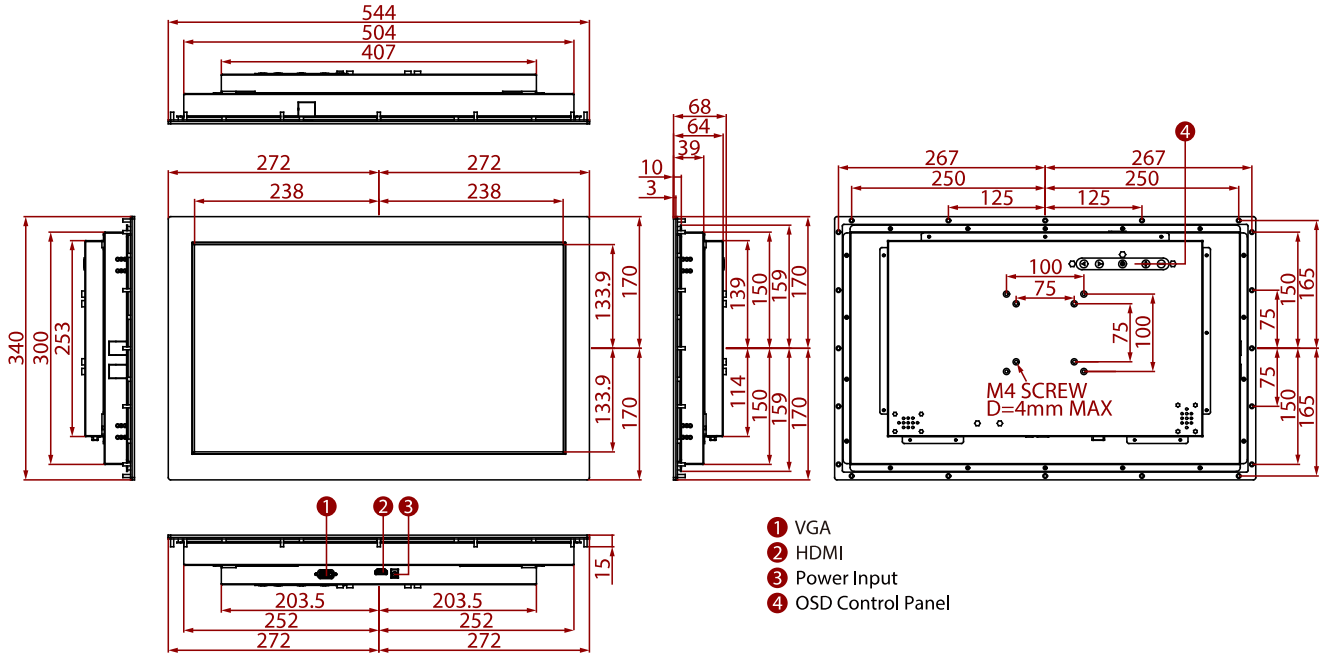
External USB Cable For Touchscreen Control
 External VGA Cable
 External HDMI Cable
 Driver CD & Manual
 VESA Screws

Power

Power Rating 12V DC input

DIMENSIONS UNIT:MM

Winmate W22L100-STA3



NOTE

1. This is a simplified drawing and some components are not marked in detail.
2. Please contact our sales representative if you need further product information.
3. All specifications are subject to change without prior notice.
4. The product shown in this datasheet is a standard model. For diagrams that contain customized or optional I/O, please contact the Winmate Sales Team for more information.