

W24IT7T-POA2

23.8" Intel® Core™ i5 (Tiger Lake) PO Series HMI Panel PC



KEY FEATURES

- Intel® Core™ Tiger Lake UP3 i5-1135G7 (Without vPro) / Intel® Core™ Tiger Lake UP3 i5-1145G7E (With vPro)
- 1920 x 1080 Resolution
- Projected capacitive multi-touch screen
- Multi display supports DP / HDMI / LVDS / eDP panel interface
- Multiple I/Os, 2 x Serial Ports, 4 x USB 3.2 Gen. 1 Ports
- Front IP65 water and dust proof
- 12V Single Voltage Power Input

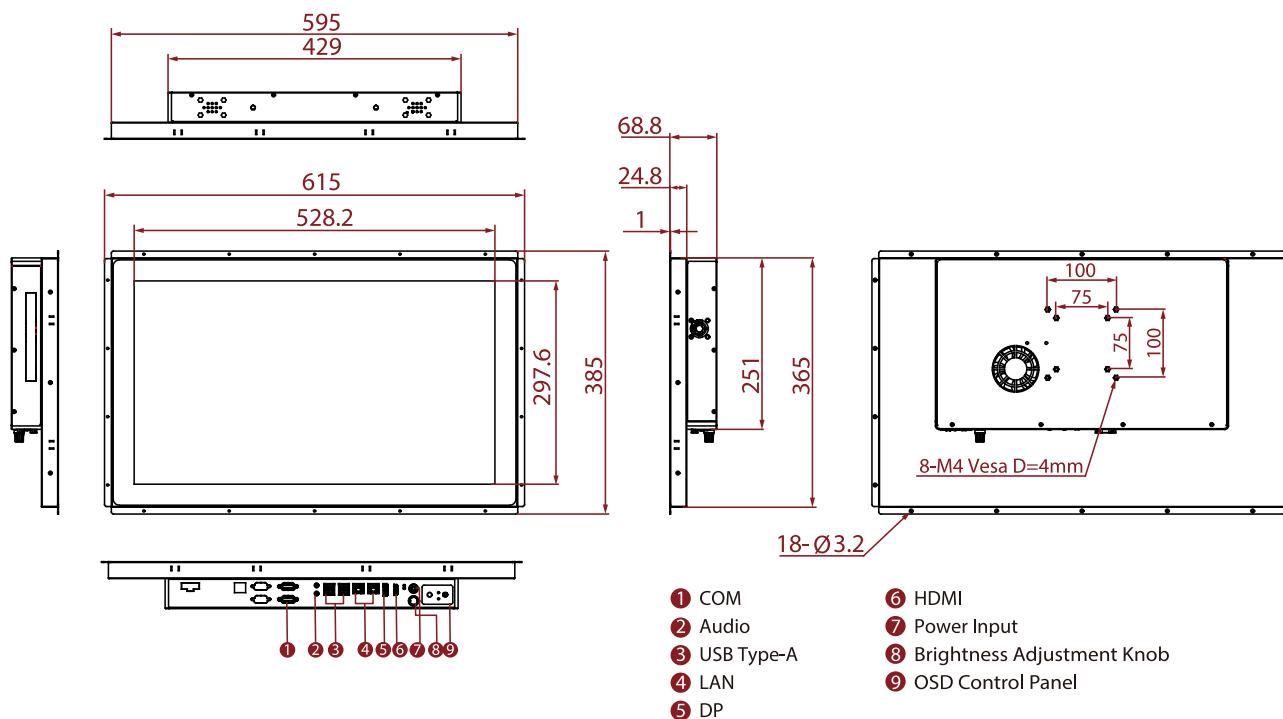


SPECIFICATIONS

Display	
Resolution	1920x1080
Contrast Ratio	3000:1
View Angles	89,89,89,89
Touch / Glass	Projected Capacitive Multi Touch Screen
Size	23.8 inches
Panel Brightness	250 nits
Active Area	527.04x296.46 mm
System Specification	
Processor	Intel® Core™ i5-1135G7 (8M Cache, up to 4.20 GHz, Without vPro, BGA onboard CPU) Intel® Core™ i5-1145G7 (8M Cache, up to 4.40 GHz, With vPro, BGA onboard CPU) (Optional)
Memory	1 x SO-DIMM, DDR4 3200 MHz, 4GB 8GB (Optional) 16GB (Optional) 32GB (Optional) 2 x SO-DIMM, DDR4 3200 MHz, 4GB (Optional) 8GB (Optional) 16GB (Optional) 32GB (Optional) 64GB (Optional)
Storage	1 x M.2 M-Key 2242 SATA SSD or 1 x M.2 M-Key 2280 NVMe SSD 128GB 256GB (Optional) 512GB (Optional) 1TB(for NVMe) (Optional) 2TB(for NVMe) (Optional) 4TB(for NVMe) (Optional) 1 x SATA III , up to 2TB (Optional)
Ethernet controller	2 x Intel® Ethernet Controller
Security	TPM 2.0
Operating System	Windows 11 IoT Enterprise (Optional) Windows 10 IoT Enterprise (Optional) Linux Ubuntu 22.04 (Optional)
Mechanical	
Dimension	615 x 385 x 68.8 mm
Mounting	Open Frame panel mount VESA Mount
Enclosure	Metal Housing
Cooling System	Fan design
Environment	
Operating Humidity	10% to 90% (non-condensing)
Operating Temperature	0~50°C
Storage Temperature	-10~60°C
Certification	
Certification	CE, FCC

IO Ports			
Power Input	1 x 12V DC, Din4 pin connector	USB Port	4 x USB3.2 Gen1x1 (Type-A)
Serial Port	1 x RS232/422/485 (Default RS232) 1 x RS232	Video	1 x DP1.4 1 x HDMI 2.0 (Optional)
Audio	Mic in Line out	Expansion Port	1 x M.2 2242/2280 Key M slot for SATA/NVMe SSD 1 x M.2 2230 Key E slot for WiFi (Optional)
LAN	2 x Giga LAN RJ45 Connector	Indicator	1 x LED Indicator for power 1 x LED Indicator for storage
Brightness Knob	1 x Brightness Adjustment Knob		
Control			
Button	1 x Power Button 1 x Reset Button		
Accessory			
Accessory	100~240V AC to DC Adapter Power Cord Driver CD & Manual VESA screws		
Power			
Power Rating	12V DC	Adapter	12V 120W

DIMENSIONS UNIT:MM



NOTE

1. This is a simplified drawing and some components are not marked in detail.
2. Please contact our sales representative if you need further product information.
3. All specifications are subject to change without prior notice.
4. The product shown in this datasheet is a standard model. For diagrams that contain customized or optional I/O, please contact the Winmate Sales Team for more information.