

# W27L100-MLA3FP

## 27" 4K2K UHD Defence Display



### KEY FEATURES

- 27" Display with 4K2K UHD PCAP Rack Mount Defence Display (3840 x 2160) native resolution
- Compliant MIL-STD 810G/ MIL-STD 461E
- Rack mount mechanical design, supports VESA mount
- PCAP multi-touch screen
- Defence-grade power connector (MIL-DTL-38999/1)
- AC 100~240V, Universal,  $\pm 10\%$ ; DC 9~36V,  $\pm 10\%$  (Optional)
- Convenient on-screen display controls



### SPECIFICATIONS

Display	
<b>Resolution</b>	3840x2160
<b>Contrast Ratio</b>	1000:1
<b>Display Color</b>	1.07B Colors
<b>Active Area</b>	596.16x335.34 mm
<b>Size</b>	27.0 inches
<b>Panel Brightness</b>	400.0 nits
<b>View Angles</b>	89,89,89,89
<b>Touch / Glass</b>	Projected Capacitive Multi Touch Screen PCAP with With ITO Flim (Optional)
Environment	
<b>Operating Humidity</b>	10% to 95% RH
<b>Storage Temperature</b>	-25°C~60°C
<b>Operating Temperature</b>	0~50°C
Compliance	
<b>MIL-STD 461E/F/G</b>	RE101 / RE102 CE101 / CE102 CS118 with EMI Glass / Touch(Optional) RS101 / RS 103 CS101 / CS 106 / CS 109 / CS 114 / CS 115 / CS 116
<b>MIL-STD 810G</b>	Vibration Method 514.6 Humidity Method 507.4 Transit Drop Method516.5
Certification	
<b>Certification</b>	CE, FCC
IO Ports	
<b>USB Port</b>	1 x USB for Touch Screen (Optional)
<b>Video</b>	1 x VGA 1 x DVI 1 x Display Port 1.2 1 x HDMI 1.4 (Optional) 1 x HDMI 2.0 (Optional)
<b>Serial Port</b>	1 x RS232 for Remote Control (Optional)
<b>Audio</b>	1 x Audio Line In (Optional)
Mechanical	
<b>Dimension</b>	697.2 x 442 x 73.8 mm
<b>Mounting</b>	VESA Mount/ Rack Mount
<b>Cooling System</b>	Fanless Design
<b>Weight</b>	15.9 kg
<b>Enclosure</b>	Metal
Accessory	

**Accessory**

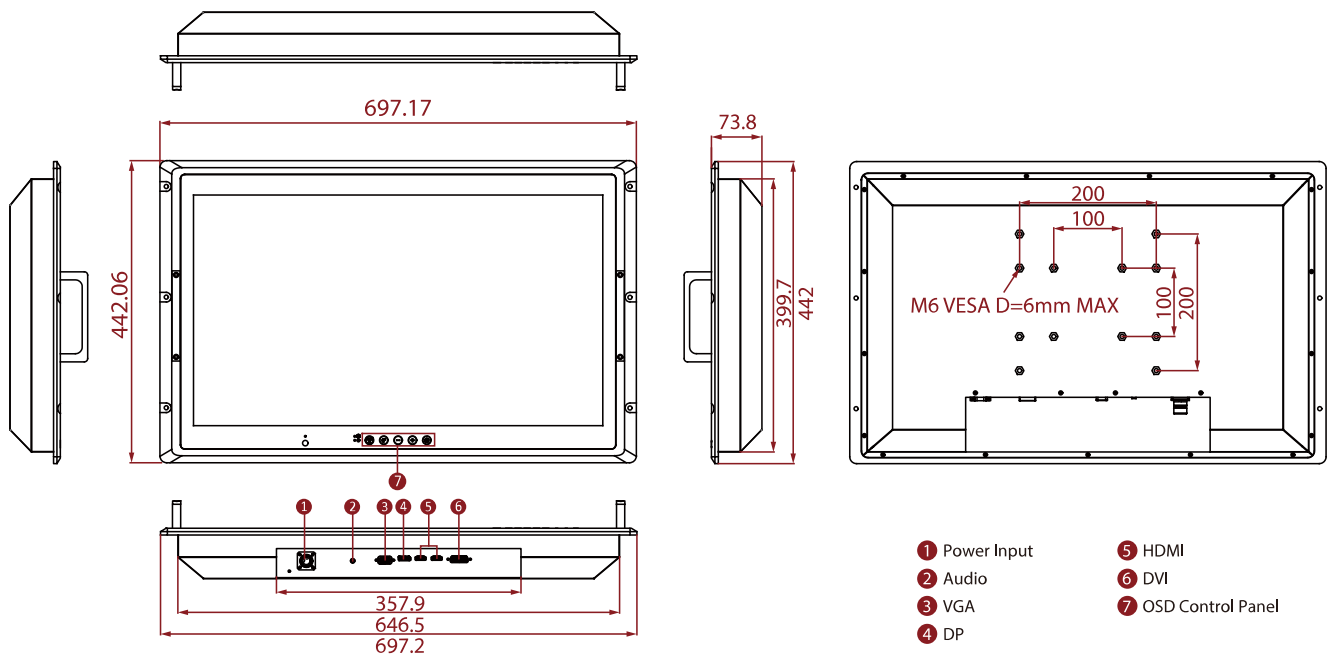
1 x User Manual(Hardcopy)  
 1 x Power Cord MILDTL38999/1  
 1 x VGA Cable  
 1 x DVI Cable  
 2 x HDMI Cable  
 1 x DP Cable

**Optional Accessory** 1 x Audio cable**Power**

**Power Rating** AC 100~240V, Universal, ±10%  
 DC 9~36V, ±10% (Optional)

**Control**

**Button** 5 x Capacitive Touch Key  
 Power  
 Brightness+  
 Brightness-  
 OSD/ Enter  
 ESC

**DIMENSIONS** UNIT:MM**NOTE**

1. This is a simplified drawing and some components are not marked in detail.
2. If you require an external test report, Winmate will charge an NRE fee.
3. Please contact our sales representative if you need further product information.
4. All specifications are subject to change without prior notice.
5. The product shown in this datasheet is a standard model. For diagrams that contain customized or optional I/O, please contact the Winmate Sales Team for more information.