

XPPC 10-100

10.1" TFT WXGA 16:10 Slim Bezel, Multi Touchscreen Computer

Powered by Intel® Celeron® Processor J3455



Main Features

- 10.1" TFT WXGA 16:10 panel
- 10-point PCAP multi-touch with slim bezel design
- IP65 protection on the front
- Support: VESA/panel/openframe mount
- Intel® Celeron® processor J3455
- 1 x DDR3L up to 8GB, M.2 2242 Key M for storage device
- Support power input 19 VDC

Product Overview

The 10.1" fanless touchscreen computer XPPC 10-100 incorporating an industrial motherboard is intended for versatile industrial applications. XPPC 10-100 has a touch screen LED backlight LCD panel with 1280 x 800 (WXGA) resolution and 400 nits brightness. The front panel which adopts flush design and complies with IP65 standard by panel mount makes it the perfect fit in industrial applications. XPPC10-100 powered by Intel® Celeron® processor and support DDR3L up to 8GB, with slim design and weight optimization. XPPC 10-100 support multi-mounting choice based on different application. XPPC 10-100 can be applied in different situations, for example: restaurant, convenience store and self-ordering system.

Specifications

Panel

- LCD size: AUO G-series 10.1", 16:10
- Resolution: WXGA 1280 x 800
- Luminance
 - LCD panel: 400cd/m²
 - XPPC PCAP touch: 90% of panel's luminance after optical bonding
- Contrast ratio: 800
- LCD color: 16.7M
- Viewing angle: 89 (U), 89 (D), 89 (L), 89 (R)
- Backlight: LED

Touch Screen

- 10-point PCAP (projected capacitive touch)
- Optical bonding
- Glass surface treatment: AS (Anti-Smudge Coating for easy cleaning)

System

- CPU: onboard Intel® Celeron® processor J3455, 1.50GHz, 2M cache
- Graphic: Intel® HD Graphics

Main Memory

- 1 x SO-DIMM socket support up to 8GB DDR3L 1866 MHz, non-ECC and un-buffered memory

Storage Device

- 1 x M.2 2242 Key M SSD (support SATA 3.0)

Expansion

- 1 x mini-PCIe full-size connector with SIM slot (full-size) onboard, support Wi-Fi/LTE module

Rear I/O

- LED for power on/off
- Power switch
- 19V DC-in power jack lock type
- 2 x RJ45 with LEDs for Gigabit LAN
- 1 x HDMI 2.0, resolution 4096 x 2160 60Hz
- 2 x USB 3.0
- 1 x Line-out
- COM 1: RS232/422/485

Front I/O

- 2 x Antenna hole

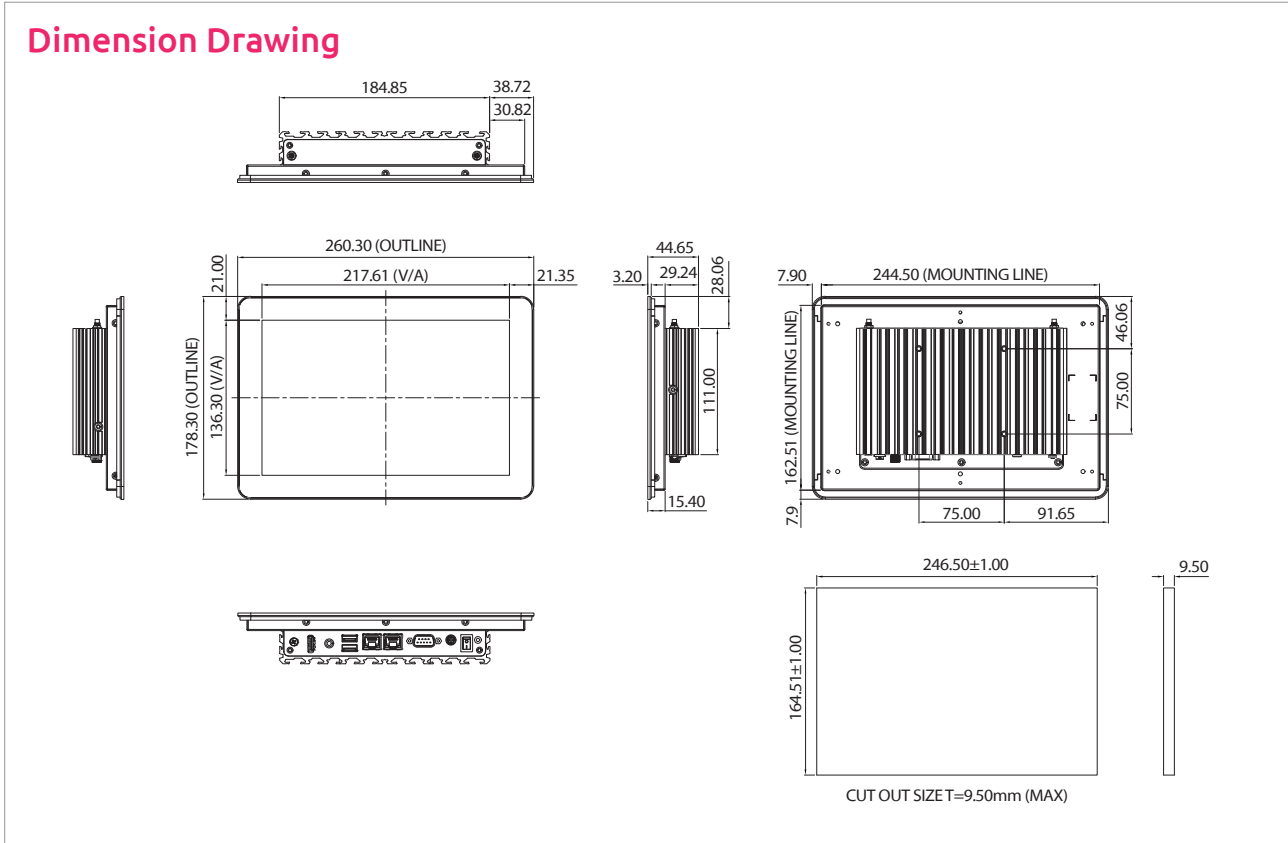
Mechanical

- Color/material: black silver/metal sheet
- Support
 - VESA mount 75mm x 75mm
 - Panel mount
 - Open frame

Environment

- Vibration
 - IEC 60068-2-64

Dimension Drawing



- 2Grms@sine, 5~500Hz, 1hr/axis
- 2.2Grms@random condition, 5~500Hz, 0.5hr/axis (non-operating)
- Shock
 - IEC 60068-2-27
 - 20g peak acceleration (11 msec. duration)
- Temperature
 - Operating temperature with 0.7 m/s air flow: 0°C~50°C
 - Storage temperature: -20°C~60°C
- Operating humidity: 10%~90% relative humidity, non-condensing limits to be at 90%

Dimensions

- System: 260.3mm x 178.3mm x 44.65mm
- System weight: 2 kg
- Package: 335mm x 302mm x 160mm
- Package weight: 3 kg

Power Supply

- 1 x 45W AC/DC lockable adapter included in accessory
- Input: 100VAC to 240VAC
- Output: DC 19VDC

Certifications

- CE (EN55035 + EN55032)
- FCC Class A (EMI part 15B)
- LVD (EN62368-1)

OS Support Lists

- Windows 10 64-bit
- Linux

Ordering Information

Barebone

- **XPPC 10-100-1 (P/N: 10W30XPPC26X0)**
10.1" TFT panel PC, P-CAP, Intel® Celeron® processor J3455 w/ touch IC 81W60, w/ optical bonding
- **Panel mount kit (P/N: 88W30XPPC02X0)**
- **Open frame kit (P/N: 88W30XPPC03X0)**